

RL-9750-3VM

THRU-HOLE AC LINE FILTER

DESCRIPTION

- Thru-Hole AC Line Filter

ENVIRONMENTAL DATA

- Storage temperature range: -55°C to +130°C
- Operating temperature range: -40°C to +130°C

PACKAGING INFORMATION

- Packaging information: pg. 495

FEATURES & APPLICATIONS

- High impedance at applicable frequency
- High self-resonant frequency
- Provides excellent noise suppression for high frequency ranges
- Dielectric withstanding voltage rated at 2500 VAC line to line
- Low cost

Verify operation with sample in actual circuit. Order samples at www.rencousa.com.

MECHANICAL DIMENSIONS

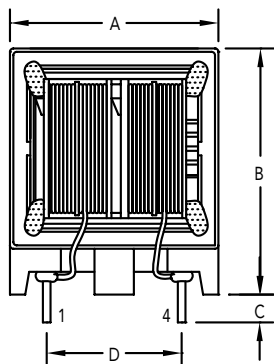
U.S. Standard (mm)

PART NUMBER	A (MAX.)	B (MAX.)	C (TYP.)	D ±0.02 (0.50)	E ±0.02 (0.50)	F (MAX.)
RL-9750-3VM	1.18 (30.00)	1.39 (35.50)	0.20 (5.00)	0.51 (13.00)	0.40 (10.00)	0.87 (22.00)

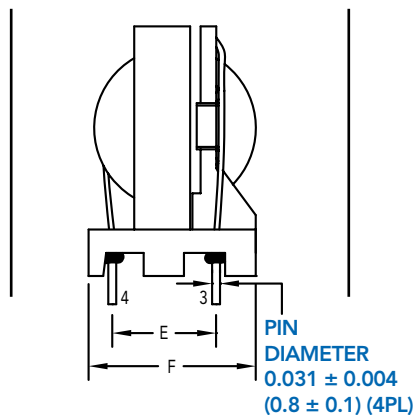
PART NUMBER	PART WEIGHT
RL-9750-3VM	19.0g (0.67oz)

G ±0.002 (0.05)	H ±0.002 (0.05)
0.51 (13.00)	0.39 (10.00)

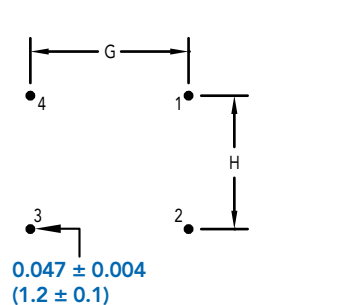
FRONT VIEW



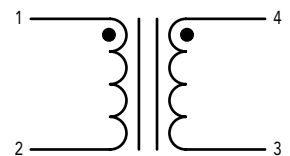
SIDE VIEW



RECOMMENDED LAND PATTERN



SCHEMATIC



RENCO ELECTRONICS INC.

595 International Place, Rockledge, FL 32955-4200 USA • www.rencousa.com • ISO 9001 Certified
Toll Free Engineering Hot Line: 800.645.5828 • P: 321.637.1000 • F: 321.637.1600



RL-9750-3VM

Renco Part No. RL-9750-3VM	Inductance (mH) Min.	DCR (Ohms) ± 20%	Irms (A) Max.
RL-9750-3VM-2.3	2.3	0.058	3.3
RL-9750-3VM-3.3	3.3	0.071	3.0
RL-9750-3VM-4.5	4.5	0.087	2.7
RL-9750-3VM-5.9	5.9	0.111	2.3
RL-9750-3VM-7.5	7.5	0.147	2.0
RL-9750-3VM-8.7	8.7	0.155	1.9
RL-9750-3VM-12.0	12.0	0.226	1.7
RL-9750-3VM-17.0	17.0	0.309	1.4
RL-9750-3VM-19.0	19.0	0.331	1.3
RL-9750-3VM-29.0	29.0	0.515	1.0
RL-9750-3VM-36.0	36.0	0.707	0.9
RL-9750-3VM-72.0	72.0	1.294	0.6

NOTES:

1. ELECTRICAL SPECIFICATIONS MEASURED AT 25°C
2. Irms - CURRENT THAT CAUSES THE TEMPERATURE TO RISE APPROX. 40°C ABOVE AMBIENT OF 25°C
3. INDUCTANCE TESTED AT 10 kHz, 0.1 Vrms

