



# RL-4435

## TOROIDAL POWER INDUCTOR SELF-LEADED AND CLIPMOUNT

### DESCRIPTION

- Toroidal Power Inductor

### ENVIRONMENTAL DATA

- Storage temperature range: -55°C to +130°C
- Operating temperature range: -40°C to +130°C

### PACKAGING INFORMATION

- Packaging information: pg. 494

### FEATURES & APPLICATIONS

- Rugged construction
- Single layer design
- All flame retardent materials
- Featuring a no radiation design
- Perfect for use in switching power supplies and circuits where EMI must be eliminated
- Small size in conjunction with their PCB make them suitable for high density packaging and easy insertion
- High SRF one-layer design

Verify operation with sample in actual circuit. Order samples at [www.rencousa.com](http://www.rencousa.com).

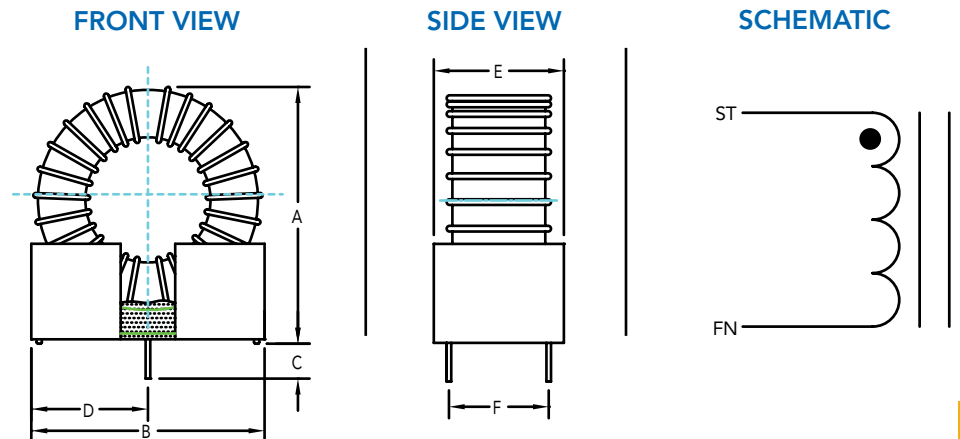
### MECHANICAL DIMENSIONS

U.S. Standard (mm)

CLIPMOUNT	A (MAX.)	B (MAX.)	C (TYP.)	D (TYP.)	E (MAX.)	F (TYP.)
CM-1.0	0.630 (16.00)	0.608 (15.44)	0.110 (2.79)	0.290 (7.37)	0.370 (9.40)	0.220 (5.59)
CM-2.0	0.680 (17.27)	0.678 (17.22)	0.110 (2.79)	0.325 (8.26)	0.480 (12.19)	0.300 (7.62)
CM-3.0	0.880 (22.35)	0.858 (21.79)	0.110 (2.79)	0.415 (10.54)	0.480 (12.19)	0.300 (7.62)
CM-4.0	0.980 (24.89)	0.978 (24.84)	0.110 (2.79)	0.475 (12.07)	0.630 (16.00)	0.450 (11.43)
CM-5.0	1.280 (32.51)	1.278 (32.46)	0.110 (2.79)	0.625 (15.88)	0.730 (18.54)	0.500 (12.70)

### PART NUMBER PART WEIGHT

RL-4435 2.5	22.0g (0.77oz)
RL-4435 3.0	23.0g (0.81oz)
RL-4435 3.5	25.0g (0.88oz)
RL-4435 4.0	33.0g (1.16oz)
RL-4435 5.0	40.0g (1.41oz)



**RENCO ELECTRONICS INC.**

595 International Place, Rockledge, FL 32955-4200 USA • [www.rencousa.com](http://www.rencousa.com) • ISO 9001 Certified  
Toll Free Engineering Hot Line: 800.645.5828 • P: 321.637.1000 • F: 321.637.1600



# RL-4435

Renco Part No. w/ clip mount pkg.	Clip Mount Package	REFERENCE OPERATING VALUES		
		Inductance Typ. (μH) (1)	Isat (A)	E Top (V-μSec)
RL-4435-25-2.5	CM1	25.0	2.5	30.0
RL-4435-50-2.5	CM2	50.0	2.5	50.0
RL-4435-100-2.5	CM3	100.0	2.5	90.0
RL-4435-35-2.5	CM2	35.0	2.5	55.0
RL-4435-70-3.0	CM3	70.0	3.0	85.0
RL-4435-145-3.0	CM4	145.0	3.0	140.0
RL-4435-285-3.0	CM5	285.0	3.0	300.0
RL-4435-100-3.5	CM4	100.0	3.5	130.0
RL-4435-165-4.0	CM5	165.0	4.0	240.0
RL-4435-40-4.0	CM3	40.0	4.0	70.0
RL-4435-100-5.0	CM5	100.0	5.0	200.0
RL-4435-55-5.0	CM4	55.0	5.0	100.0
RL-4435-55-7.0	CM5	55.0	7.0	150.0

**NOTES:**

1. Isat AND ETop VALUES SHOW POINT OF TYPICAL INDUCTANCE
2.  $\frac{LI^2}{2}$  RATING IS THE ABILITY OF THE INDUCTOR TO STORE ENERGY
3. Tested at 20kHz/100mVac



**RENCO ELECTRONICS INC.**

595 International Place, Rockledge, FL 32955-4200 USA • [www.rencousa.com](http://www.rencousa.com) • ISO 9001 Certified  
Toll Free Engineering Hot Line: 800.645.5828 • P: 321.637.1000 • F: 321.637.1600



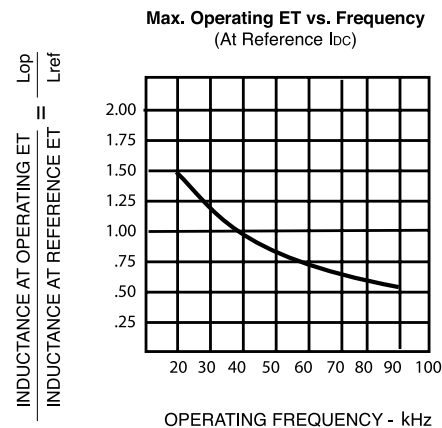
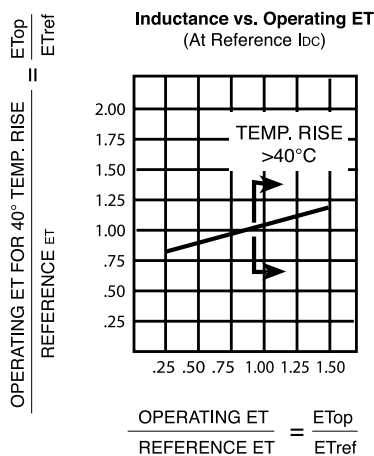
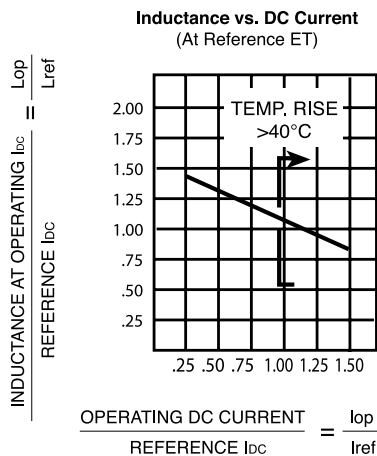
# RL-4435

Renco Part No. w/clip mount pkg.	Clip Mount Package	DESIGN CONTROL			
		Inductance No DC +20 ( $\mu$ H)-12%	DCR Max. (Ohms)	Lead Dia. (In.+0.003)	Min. Energy Storage ( $\mu$ J) (2)
RL-4435-25-2.5	CM1	20.7	0.04	0.020	75.0
RL-4435-50-2.5	CM2	45.7	0.07	0.020	150.0
RL-4435-100-2.5	CM3	139.1	0.10	0.020	300.0
RL-4435-35-2.5	CM2	28.4	0.04	0.025	110.0
RL-4435-70-3.0	CM3	61.0	0.05	0.025	300.0
RL-4435-145-3.0	CM4	141.8	0.08	0.025	650.0
RL-4435-285-3.0	CM5	264.1	0.14	0.025	1275.0
RL-4435-100-3.5	CM4	90.7	0.04	0.032	600.0
RL-4435-165-4.0	CM5	152.0	0.07	0.032	1300.0
RL-4435-40-4.0	CM3	37.9	0.03	0.032	300.0
RL-4435-100-5.0	CM5	90.7	0.04	0.042	1250.0
RL-4435-55-5.0	CM4	54.9	0.02	0.042	650.0
RL-4435-55-7.0	CM5	49.1	0.02	0.051	1300.0

**NOTES:**

1.  $I_{sat}$  AND  $E_{Top}$  VALUES SHOW POINT OF TYPICAL INDUCTANCE
2.  $\frac{LI^2}{2}$  RATING IS THE ABILITY OF THE INDUCTOR TO STORE ENERGY
3. Tested at 20kHz/100mVac

**OPERATING CONDITIONS:**



**RENCO ELECTRONICS INC.**

595 International Place, Rockledge, FL 32955-4200 USA • [www.rencousa.com](http://www.rencousa.com) • ISO 9001 Certified  
Toll Free Engineering Hot Line: 800.645.5828 • P: 321.637.1000 • F: 321.637.1600

