



RL-3010

LOW PROFILE SMD POWER INDUCTOR

DESCRIPTION

- SMD Power Inductor

ENVIRONMENTAL DATA

- Storage temperature range: -55°C to +130°C
- Operating temperature range: -40°C to +130°C

PACKAGING INFORMATION

- Packaging information: pg. 504

FEATURES & APPLICATIONS

- Low profile surface mount inductor
- Excellent as a power inductor used in notebook computers, smartphones, cell phones, step-up or step-down converters, and Flash memory
- Available in 10 values with inductance ratings from 1.2 μH to 22 μH and currents up to 1.50 A

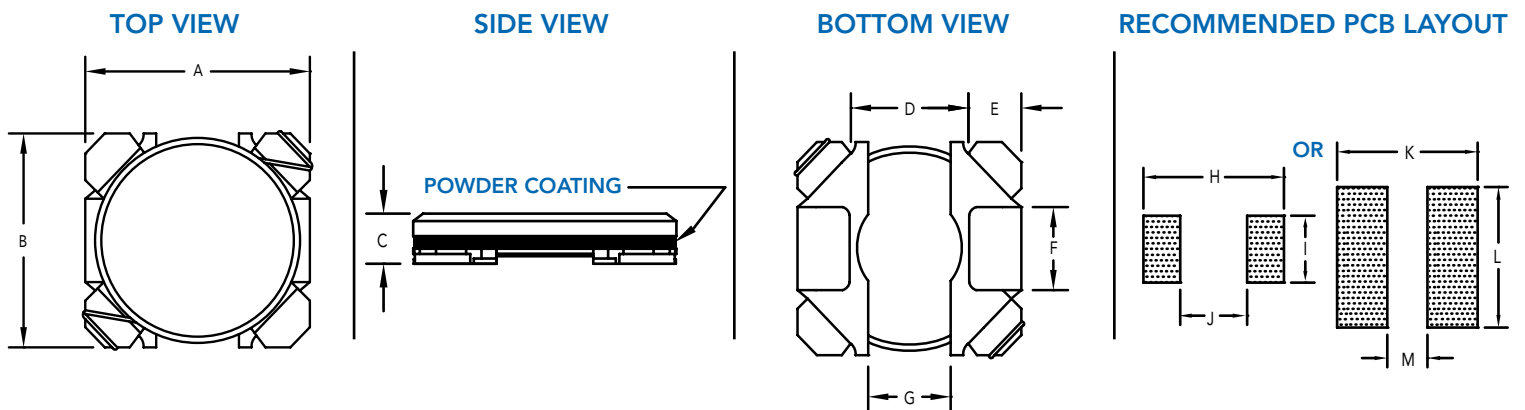
Verify operation with sample in actual circuit. Order samples at www.rencousa.com.

MECHANICAL DIMENSIONS

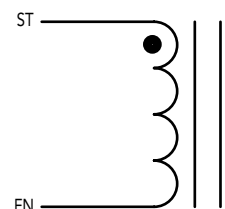
U.S. Standard (mm)

PART NUMBER	A (MAX.)	B (MAX.)	C (MAX.)	D (TYP.)	E (TYP.)	F (TYP.)	G (TYP.)
RL-3010	0.13 (3.20)	0.12 (3.10)	0.04 (1.00)	0.06 (1.50)	0.03 (0.70)	0.05 (1.20)	0.03 (0.70)

PART NUMBER	PART WEIGHT	H (REF.)	I (REF.)	J (REF.)	K (REF.)	L (REF.)	M (REF.)
RL-3010	0.8g (0.02oz)	0.13 (3.40)	0.06 (1.60)	0.06 (1.40)	0.13 (3.20)	0.13 (3.30)	0.02 (0.60)



SCHEMATIC



RL-3010

Renco Part No. RL-3010	Inductance (μ H)	DCR Max. (Ohms)	Isat (A)	Irms (A)
RL-3010-1R0N	1.0 \pm 30%	0.064	1.50	1.70
RL-3010-1R2N	1.2 \pm 30%	0.072	1.30	1.60
RL-3010-1R5N	1.5 \pm 30%	0.086	1.10	1.45
RL-3010-2R2N	2.2 \pm 30%	0.120	0.95	1.25
RL-3010-3R3N	3.3 \pm 30%	0.170	0.80	1.00
RL-3010-3R9N	3.9 \pm 30%	0.200	0.70	0.90
RL-3010-4R7M	4.7 \pm 20%	0.250	0.65	0.85
RL-3010-5R6M	5.6 \pm 20%	0.300	0.60	0.78
RL-3010-6R8M	6.8 \pm 20%	0.350	0.55	0.70
RL-3010-8R2M	8.2 \pm 20%	0.400	0.50	0.65
RL-3010-100M	10.0 \pm 20%	0.490	0.45	0.60
RL-3010-150M	15.0 \pm 20%	0.680	0.38	0.50
RL-3010-220M	22.0 \pm 20%	1.000	0.33	0.40

NOTES:

1. Isat - DC CURRENT THAT WILL CAUSE INDUCTANCE TO DROP BY 30%
2. Irms - CURRENT THAT CAUSES THE TEMPERATURE TO RISE APPROX. 40°C ABOVE AMBIENT OF 25°C
3. RESISTANCE TO SOLDER HEAT: 260°C FOR 10 SECONDS
4. INDUCTANCE TESTED AT 100 kHz, 0.1 Vrms



RENCO ELECTRONICS INC.

595 International Place, Rockledge, FL 32955-4200 USA • www.rencousa.com • ISO 9001 Certified
Toll Free Engineering Hot Line: 800.645.5828 • P: 321.637.1000 • F: 321.637.1600

