



RL-2271

TWO IN ONE™ TRIPLE OUTPUT POWER TRANSFORMERS CHASSIS MOUNT

DESCRIPTION

- Triple Output Power Transformer
- Chassis Mount

ENVIRONMENTAL DATA

- Storage temperature range: -55°C to +130°C
- Operating temperature range: -40°C to +130°C

PACKAGING INFORMATION

- Packaging information: pg. 509

FEATURES & APPLICATIONS

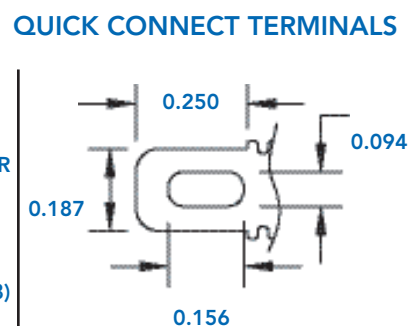
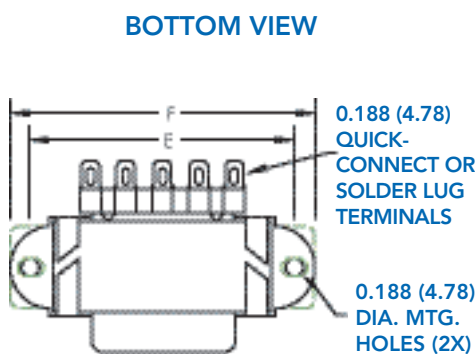
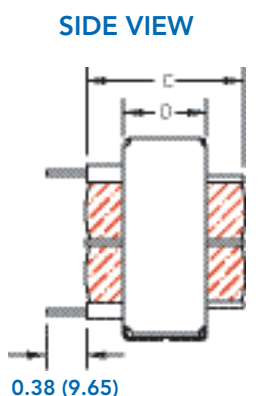
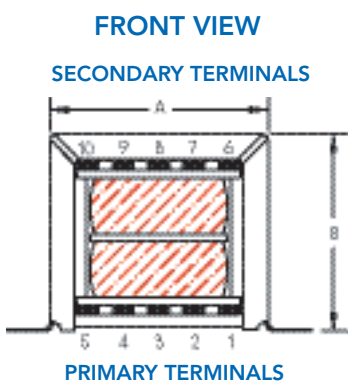
- Have a triple output designed for 5 VDC and ±12 VDC or ±15 VDC regulated power supplies
- Available in ratings of 30 VA, 56 VA, and 100 VA
- Designed with single primary 50/60 Hz and input range of (100 V to 130 V)
- Designed with solder lug/quick connect type terminals
- Split bobbin construction eliminates the need for electrostatic shielding
- Hipot tested at 2500 VRMS

Verify operation with sample in actual circuit. Order samples at www.rencousa.com.

MECHANICAL DIMENSIONS

U.S. Standard (mm)

PART NUMBER	SIZE	VA	A	B	C	D	E	F
RL-2271	6	30	2.34 (82.30)	1.75 (44.40)	1.99 (50.50)	1.08 (27.40)	2.80 (71.10)	3.24 (82.30)
RL-2271	7	56	2.69 (68.30)	1.87 (47.50)	2.27 (57.60)	1.13 (28.50)	3.13 (79.50)	3.55 (90.10)
RL-2271	8	100	3.10 (78.60)	2.25 (57.00)	2.65 (67.20)	1.39 (35.30)	3.59 (91.10)	3.98 (101.20)



RENCO ELECTRONICS INC.

595 International Place, Rockledge, FL 32955-4200 USA • www.rencousa.com • ISO 9001 Certified
Toll Free Engineering Hot Line: 800.645.5828 • P: 321.637.1000 • F: 321.637.1600



RL-2271

Renco Part No. Primary 50/60Hz 115V	VA Size	DC OUTPUT	
		Regulator I	Regulator II
RL-2271-6-12	30	5V @ 1.75A	±12 @ 210 mA
RL-2271-6-15	30	5V @ 1.75A	±15 @ 210 mA
RL-2271-7-12	56	5V @ 2.80A	±12 @ 350 mA
RL-2271-7-15	56	5V @ 2.80A	±15 @ 350 mA
RL-2271-8-12	100	5V @ 4.00A	±12 @ 600 mA
RL-2271-8-15	100	5V @ 4.00A	±15 @ 600 mA

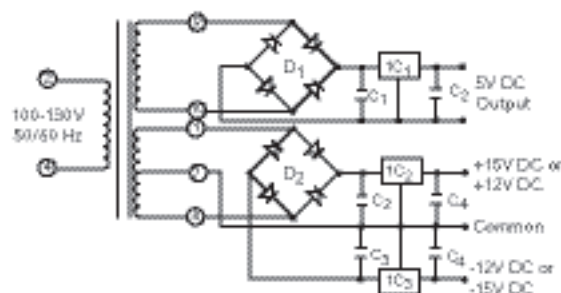
Renco Part No. Primary 50/60Hz 115V	SUGGESTED COMPONENTS						
	C1	C3	IC1	IC2	IC3	D1	D2
RL-2271-6-12	10 KMFD @ 20 VDC	1.5 KMFD @ 50VDC	LM-323K-5	LM-340K-12	LM-320K-12	3N253	3N247
RL-2271-6-15	10 KMFD @ 20 VDC	1.5 KMFD @ 50VDC	LM-323K-5	LM-340K-15	LM-320K-15	3N253	3N247
RL-2271-7-12	15 KMFD @ 20 VDC	2.0 KMFD @ 50VDC	LM-323K-5	LM-340K-12	LM-320K-12	MDA-400	3N247
RL-2271-7-15	15 KMFD @ 20 VDC	2.0 KMFD @ 50VDC	LM-323K-5	LM-340K-15	LM-320K-15	MDA-400	3N247
RL-2271-8-12	26 KMFD @ 20 VDC	3.1 KMFD @ 50VDC	LM-338 ²	LM-340K-12	LM-320K-12	MDA-800	3N247
RL-2271-8-15	26 KMFD @ 20 VDC	3.1 KMFD @ 50VDC	LM-338 ²	LM-340K-15	LM-320K-15	MDA-800	3N247

NOTES:

1. OUTPUT CAPACITORS C2 AND C4 ARE REQUIRED TO STABILIZE REGULATORS.
VALUES CAN BE 1MFD MON. TANTALUM OR 10MFD MIN. ELECTROLYTIC, 20VMIN.
2. LM-338 IS AN ADJUSTABLE REGULATOR AND MFR'S SPECIFICATIONS
(TEXAS INSTRUMENTS *FORMALLY NATIONAL SEMICONDUCTOR) SHOULD BE
CONSULTED FOR VALUES
OF EXTERNAL COMPONENTS
3. ALL ICS ARE NATIONAL SEMICONDUCTOR TYPES
4. ALL DIODES ARE MOTOROLA TYPES
5. ELECTRICAL SPECIFICATIONS MEASURED AT 25°C

PART NUMBER	PART WEIGHT
RL-2271-6	564.0g (19.89oz)
RL-2271-7	800.0g (28.22oz)
RL-2271-8	1,250.0g (44.09oz)

SCHEMATIC



RENCO ELECTRONICS INC.

595 International Place, Rockledge, FL 32955-4200 USA • www.rencousa.com • ISO 9001 Certified
Toll Free Engineering Hot Line: 800.645.5828 • P: 321.637.1000 • F: 321.637.1600

