

RL-2261

ALL IN ONE™ INTERNATIONAL TRIPLE OUTPUT POWER TRANSFORMERS • CHASSIS MOUNT

DESCRIPTION

- Triple Output Power Transformers

ENVIRONMENTAL DATA

- Storage temperature range: -55°C to +130°C
- Operating temperature range: -40°C to +130°C

PACKAGING INFORMATION

- Packaging information: pg. 509

FEATURES & APPLICATIONS

- Meets UL, CSA, VDE and IEC specifications
- Available in ratings of 25 VA, 43 VA and 80 VA
- Designed with dual primaries (115/230 V - 50/60 Hz) and input range of (100 V to 130 V or 200 V to 260V - 50/60 Hz) and triple outputs (5 VDC with ±12 VDC or 5 VDC with ±15 VDC)
- Split bobbin construction eliminates the need for electrostatic shielding
- Hipot tested at 4000 VRMS

Verify operation with sample in actual circuit. Order samples at www.rencousa.com.

MECHANICAL DIMENSIONS

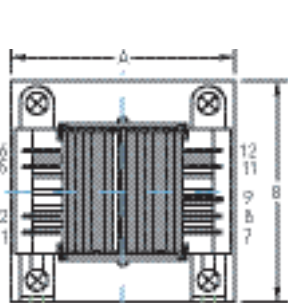
U.S. Standard (mm)

PART NUMBER	VA (SIZE)	A (MAX.)	B	C	D	E (MAX.)	F (MAX.)
RL-2261	80	2.50 (63.50)	3.00 (76.20)	2.67 (67.82)	2.38 (60.45)	1.38 (35.05)	0.312 (7.93)

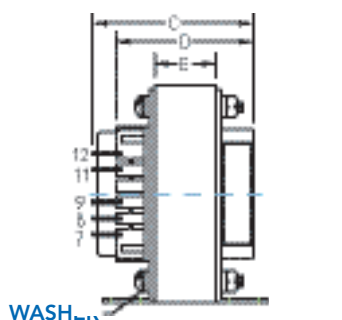
G	H	I
2.00 (50.80)	2.18 (55.37)	2.93 (74.42)

MOUNTING B

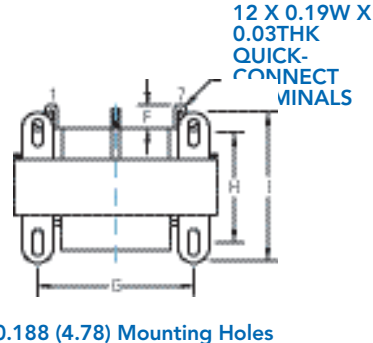
FRONT VIEW



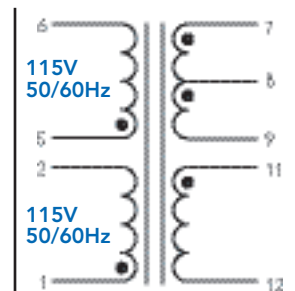
SIDE VIEW



BOTTOM VIEW



SCHEMATIC



Primaries and secondaries are designed to be used simultaneously. They must be used either series or parallel connected (as one winding).



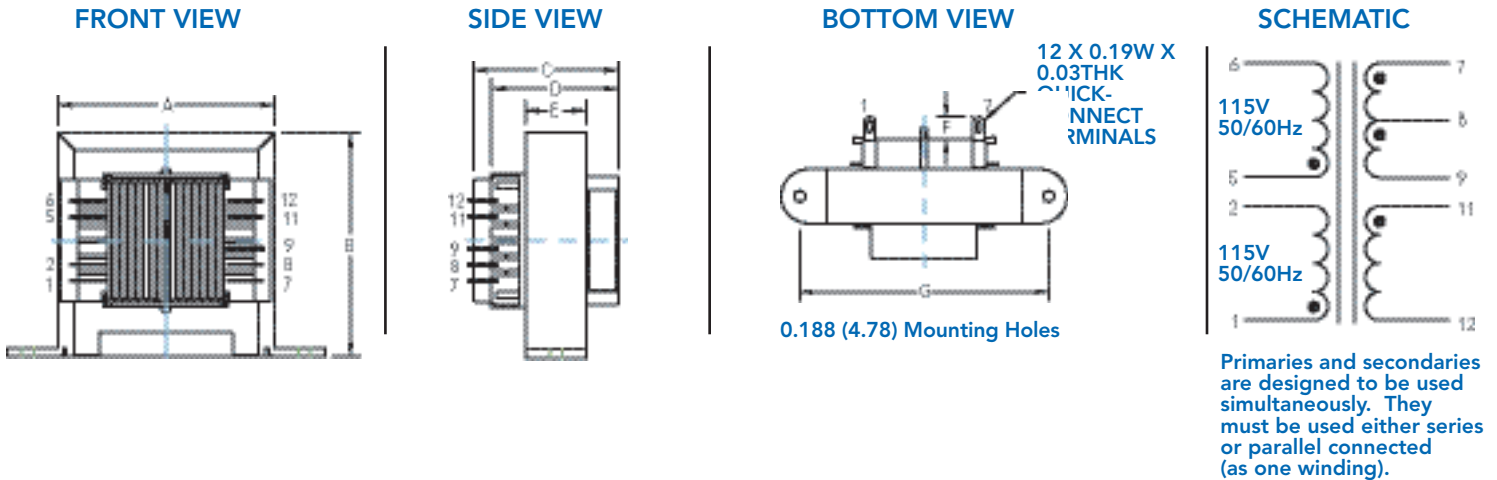
RENCO ELECTRONICS INC.

595 International Place, Rockledge, FL 32955-4200 USA • www.rencousa.com • ISO 9001 Certified
Toll Free Engineering Hot Line: 800.645.5828 • P: 321.637.1000 • F: 321.637.1600



RL-2261

MOUNTING C



MECHANICAL DIMENSIONS

U.S. Standard (mm)

PART NUMBER	VA (SIZE)	A (MAX.)	B	C	D	E (MAX.)	F (MAX.)	G
RL-2261	25	2.85 (72.39)	2.37 (60.20)	2.24 (50.90)	1.93 (49.20)	1.12 (28.45)	0.312 (7.93)	2.38 (60.45)
RL-2261	43	3.23 (82.04)	2.75 (69.85)	2.37 (60.20)	2.06 (52.32)	1.12 (28.45)	0.312 (7.93)	2.78 (70.61)

PART NUMBER	VA (SIZE)	STYLE	MTG. SCREW TERMINALS	MTG. SCREW SIZE	MTG. SCREW LBS (KG)
RL-2261	25	C	0.1875 (4.76)	#6	1.25 (0.57)
RL-2261	43	C	0.1875 (4.76)	#6	1.60 (0.73)
RL-2261	80	B	0.1875 (4.76)	#6	2.80 (1.27)

PART NUMBER	PART WEIGHT
RL-2261-25	566.0g (19.97oz)
RL-2261-43	788.0g (27.80oz)
RL-2261-80	1,264.0g (44.59oz)

NOTES:

- OUTPUT CAPACITORS C2 AND C4 ARE REQUIRED TO STABILIZE REGULATORS. VALUES CAN BE 1MFD MIN. TANTALUM OR 10MFD MIN. ELECTROLYTIC, 20VMIN.
- LM-338 IS AN ADJUSTABLE REGULATOR AND MFR'S SPECIFICATIONS (TEXAS INSTRUMENTS *FORMALLY NATIONAL SEMICONDUCTOR) SHOULD BE CONSULTED FOR VALUES OF EXTERNAL COMPONENTS
- ALL ICs ARE NATIONAL SEMICONDUCTOR TYPES
- ALL BRIDGES ARE EDI
- ELECTRICAL SPECIFICATIONS MEASURED AT 25°C



RENCO ELECTRONICS INC.



595 International Place, Rockledge, FL 32955-4200 USA • www.rencousa.com • ISO 9001 Certified
Toll Free Engineering Hot Line: 800.645.5828 • P: 321.637.1000 • F: 321.637.1600

RL-2261

Renco Part No.	VA Size	DC OUTPUT		SUGGESTED COMPONENTS						
		Regulator I	Regulator II	C1	C3	IC1	IC2	IC3	D1	D2
RL-2261-25-512	25.0	5V @ 1.25 A	±12 V @ 150mA	4.1 KMFD @ 15 VDC	600 MFD @ 50VDC	LM-323K-5	LM-340K-12	LM-320K-12	PE20	PF20
RL-2261-25-515	25.0	5V @ 1.25 A	±15 V @ 130mA	4.1 KMFD @ 15 VDC	600 MFD @ 50VDC	LM-323K-5	LM-340K-15	LM-320K-15	PE20	PF20
RL-2261-43-512	43.0	5V @ 2.00 A	±12 V @ 300mA	8 KMFD @ 15 VDC	1.1 KMFD @ 50VDC	LM-323K-5	LM-340K-12	LM-320K-12	PE20	PF20
RL-2261-43-515	43.0	5V @ 2.00 A	±15 V @ 250mA	8 KMFD @ 15 VDC	1.1 KMFD @ 50VDC	LM-323K-5	LM-340K-15	LM-320K-15	PE20	PF20
RL-2261-80-512	80.0	5V @ 3.50 A	±12 V @ 600mA	10 KMFD @ 15 VDC	2.1 KMFD @ 50VDC	LM-338 ₂	LM-340K-12	LM-320K-12	PP20	PF20
RL-2261-80-515	80.0	5V @ 3.50 A	±15 V @ 500mA	10 KMFD @ 15 VDC	2.1 KMFD @ 50VDC	LM-338 ₂	LM-340K-15	LM-320K-15	PP20	PF20

SCHEMATIC

