

RL-2260

ALL IN ONE™ POWER TRANSFORMERS

DESCRIPTION

- Linear Transformer

ENVIRONMENTAL DATA

- Storage temperature range: -55°C to +130°C
- Operating temperature range: -40°C to +130°C

PACKAGING INFORMATION

- Packaging information: pg. 494

FEATURES & APPLICATIONS

- Meets UL, CSA, VDE and IEC specifications
- Low interwinding capacitance and the shrouded design eliminates the need for electrostatic shielding
- For ease of use, they are supplied with mounting brackets and quick connector solder terminals
- Hipot tested at 4000 VRMS 60 Hz 2 seconds winding to winding, windings to core

Verify operation with sample in actual circuit. Order samples at www.rencousa.com.

MECHANICAL DIMENSIONS

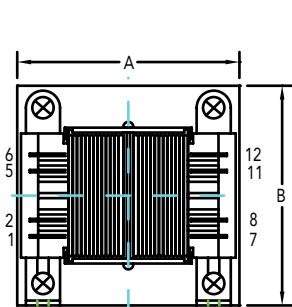
U.S. Standard (mm)

PART NUMBER	VA (SIZE)	A (MAX.)	B (MAX.)	C (MAX.)	D	E (MAX.)	F (MAX.)
RL-2260	80	2.50 (63.50)	3.00 (76.20)	2.69 (68.33)	2.38 (60.45)	1.38 (35.05)	0.312 (7.93)
RL-2260	130	2.81 (71.37)	3.38 (85.85)	3.05 (77.47)	2.67 (67.82)	1.62 (41.15)	0.375 (9.53)
RL-2260	175	3.20 (81.28)	3.77 (95.75)	3.16 (80.26)	2.67 (67.82)	1.62 (41.15)	0.375 (9.53)

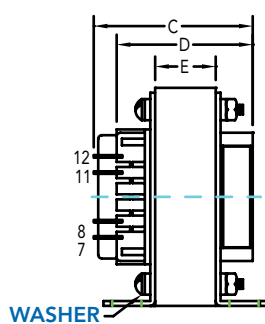
G	H	I
2.00 (50.80)	2.19 (55.63)	2.93 (74.42)
2.25 (57.15)	2.50 (63.50)	3.24 (82.29)
2.50 (63.50)	2.50 (63.50)	3.24 (82.29)

MOUNTING B

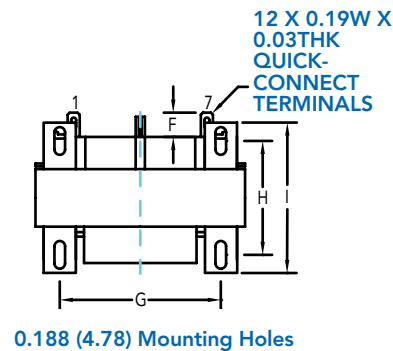
FRONT VIEW



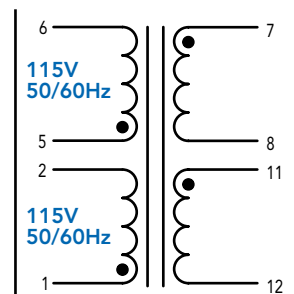
SIDE VIEW



BOTTOM VIEW



SCHEMATIC



Primaries and secondaries are designed to be used simultaneously. They must be used either series or parallel connected (as one winding).



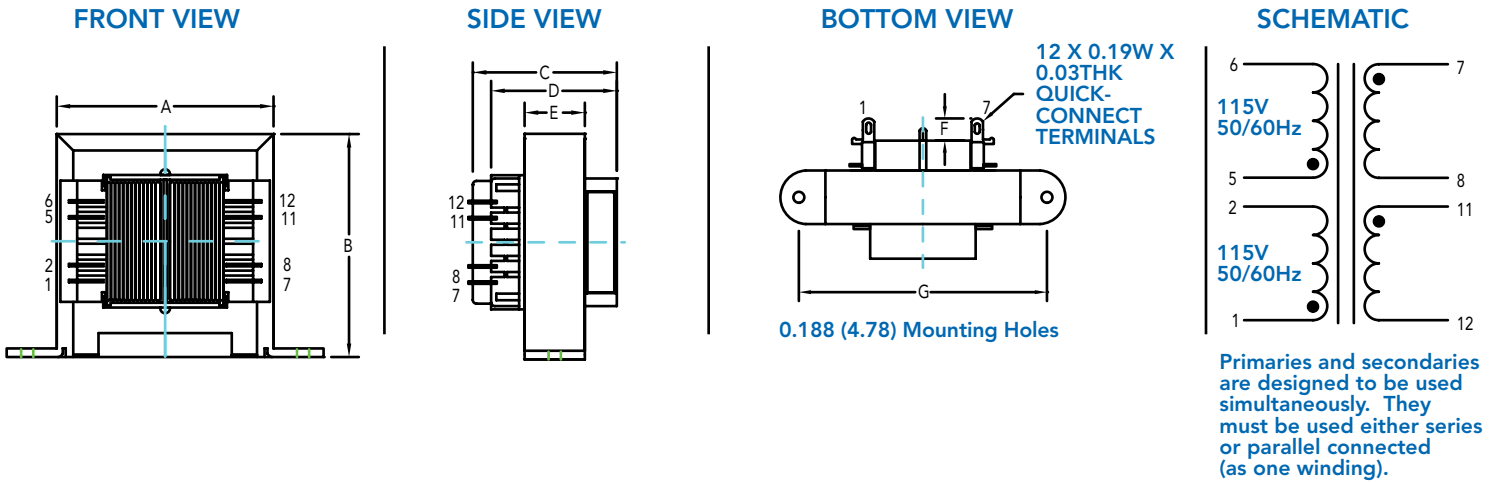
RENCO ELECTRONICS INC.



595 International Place, Rockledge, FL 32955-4200 USA • www.rencousa.com • ISO 9001 Certified
Toll Free Engineering Hot Line: 800.645.5828 • P: 321.637.1000 • F: 321.637.1600

RL-2260

MOUNTING C



MECHANICAL DIMENSIONS

U.S. Standard (mm)

PART NUMBER	VA (SIZE)	A (MAX.)	B (MAX.)	C (MAX.)	D	E (MAX.)	F (MAX.)	G
RL-2260	25	2.85 (72.39)	2.37 (60.20)	2.24 (56.90)	1.93 (49.02)	1.12 (28.45)	0.312 (7.93)	2.38 (60.45)
RL-2260	43	3.23 (82.04)	2.75 (69.85)	2.37 (60.20)	2.06 (52.32)	1.12 (28.45)	0.312 (7.93)	2.78 (70.61)

PART NUMBER	VA (SIZE)	STYLE	MTG. SCREW TERMINALS	MTG. SCREW SIZE	MTG. SCREW LBS (KG)
RL-2260	25	C	0.1875 (4.76)	#6	1.25 (0.57)
RL-2260	43	C	0.1875 (4.76)	#6	1.60 (0.73)
RL-2260	80	B	0.1875 (4.76)	#6	2.80 (1.27)
RL-2260	130	B	0.2500 (6.35)	#8	4.10 (1.86)
RL-2260	175	B	0.2500 (6.35)	#8	5.50 (2.50)

PART NUMBER	PART WEIGHT
RL-2260-25	557.0g (19.65oz)
RL-2260-43	764.0g (26.95oz)
RL-2260-80	1,230.0g (43.39oz)
RL-2260-130	1,849.0g (65.22oz)
RL-2260-175	2,043.0g (72.02oz)



RL-2260

Renco Part No.	VA (Size)	Secondary RMS Rating	
		Series	Parallel
RL-2260-25-10	25	10V C.T. @ 2.50 A	5V @ 5.00 A
RL-2260-43-10	43	10V C.T. @ 4.30 A	5V @ 8.60 A
RL-2260-80-10	80	10V C.T. @ 8.00 A	5V @ 16.00 A
RL-2260-130-10	130	10V C.T. @ 13.00 A	5V @ 26.00 A
RL-2260-175-10	175	10V C.T. @ 17.50 A	5V @ 35.00 A
RL-2260-25-12	25	12.6V C.T. @ 2.00 A	6.3V @ 4.00 A
RL-2260-43-12	43	12.6V C.T. @ 3.40 A	6.3V @ 6.80 A
RL-2260-80-12	80	12.6V C.T. @ 6.30 A	6.3V @ 12.60 A
RL-2260-130-12	130	12.6V C.T. @ 10.30 A	6.3V @ 20.60 A
RL-2260-175-12	175	12.6V C.T. @ 14.00 A	6.3V @ 28.00 A
RL-2260-25-16	25	16V C.T. @ 1.60 A	8V @ 3.20 A
RL-2260-43-16	43	16V C.T. @ 2.70 A	8V @ 5.40 A
RL-2260-80-16	80	16V C.T. @ 5.00 A	8V @ 10.00 A
RL-2260-130-16	130	16V C.T. @ 8.10 A	8V @ 18.20 A
RL-2260-175-16	175	16V C.T. @ 11.00 A	8V @ 22.00 A
RL-2260-25-20	25	20V C.T. @ 1.25 A	10V @ 2.50 A
RL-2260-43-20	43	20V C.T. @ 2.20 A	10V @ 4.40 A
RL-2260-80-20	80	20V C.T. @ 4.00 A	10V @ 8.00 A
RL-2260-130-20	130	20V C.T. @ 6.50 A	10V @ 13.00 A
RL-2260-175-20	175	20V C.T. @ 8.80 A	10V @ 17.60 A
RL-2260-25-24	25	24V C.T. @ 1.00 A	12V @ 2.00 A
RL-2260-43-24	43	24V C.T. @ 1.80 A	12V @ 3.60 A
RL-2260-80-24	80	24V C.T. @ 3.30 A	12V @ 6.60 A
RL-2260-130-24	130	24V C.T. @ 5.40 A	12V @ 10.80 A
RL-2260-175-24	175	24V C.T. @ 7.30 A	12V @ 14.60 A
RL-2260-25-28	25	28V C.T. @ 0.90 A	14V @ 1.86 A
RL-2260-43-28	43	28V C.T. @ 1.50 A	14V @ 3.00 A
RL-2260-80-28	80	28V C.T. @ 2.80 A	14V @ 5.60 A
RL-2260-130-28	130	28V C.T. @ 4.60 A	14V @ 9.20 A
RL-2260-175-28	175	28V C.T. @ 6.25 A	14V @ 12.50 A
RL-2260-25-36	25	36V C.T. @ 0.70 A	18V @ 1.40 A
RL-2260-43-36	43	36V C.T. @ 1.20 A	18V @ 2.40 A
RL-2260-80-36	80	36V C.T. @ 2.20 A	18V @ 4.40 A
RL-2260-130-36	130	36V C.T. @ 3.60 A	18V @ 7.20 A
RL-2260-175-36	175	36V C.T. @ 4.80 A	18V @ 9.60 A
RL-2260-25-230	25	230V C.T. @ 0.11 A	115V @ 0.22 A
RL-2260-43-230	43	230V C.T. @ 0.19 A	115V @ 0.38 A
RL-2260-80-230	80	230V C.T. @ 0.35 A	115V @ 0.70 A
RL-2260-130-230	130	230V C.T. @ 0.57 A	115V @ 1.14 A
RL-2260-175-230	175	230V C.T. @ 0.76 A	115V @ 1.52 A

NOTES:

1. ELECTRICAL SPECIFICATIONS MEASURED AT 25°C



RENCO ELECTRONICS INC.



595 International Place, Rockledge, FL 32955-4200 USA • www.rencousa.com • ISO 9001 Certified
Toll Free Engineering Hot Line: 800.645.5828 • P: 321.637.1000 • F: 321.637.1600