

# RL-2251

## ALL/TRAN™ INTERNATIONAL PCB MOUNT TRIPLE OUTPUT POWER TRANSFORMERS

### DESCRIPTION

- Two Section Linear Transformer

### ENVIRONMENTAL DATA

- Storage temperature range: -55°C to +130°C
- Operating temperature range: -40°C to +130°C

### PACKAGING INFORMATION

- Packaging information: pg. 494

### FEATURES & APPLICATIONS

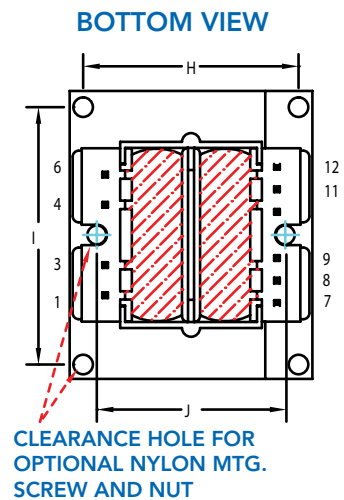
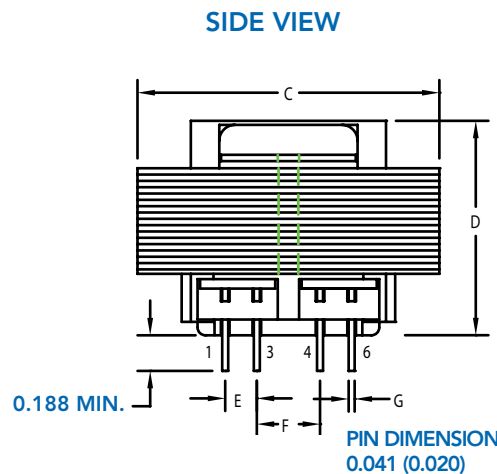
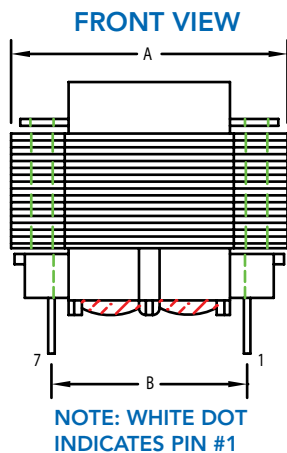
- Meets or exceeds UL, CSA, VDE and IEC specifications
- Has a triple output designed for 5 VDC and ±12 VDC or ±15 VDC regulated power supplies
- Available in ratings of 20VA, 30VA and 56VA
- Designed with dual primaries(115/230 V - 50/60 Hz) and input range of (100 V to 130 V or 200V to 260 V - 50/60 Hz)
- Split bobbin construction eliminates the need for electrostatic shielding

Verify operation with sample in actual circuit. Order samples at [www.rencousa.com](http://www.rencousa.com).

### MECHANICAL DIMENSIONS

U.S. Standard (mm)

PART NUMBER	VA (SIZE)	A (MAX.)	B (MAX.)	C (MAX.)	D (MAX.)	E (TYP.)	F (TYP.)
RL-2251	20	1.8750 (47.63)	1.46 (37.08)	2.250 (57.15)	1.6250 (41.28)	0.40 (10.16)	0.400 (10.16)
RL-2251	30	1.1875 (30.16)	1.68 (42.67)	2.620 (66.55)	1.5625 (39.69)	0.55 (13.97)	0.275 (6.99)
RL-2251	56	2.5000 (63.50)	1.90 (48.26)	3.000 (76.20)	1.8125 (46.04)	0.60 (15.24)	0.300 (7.62)



**RENCO ELECTRONICS INC.**



595 International Place, Rockledge, FL 32955-4200 USA • [www.rencousa.com](http://www.rencousa.com) • ISO 9001 Certified  
Toll Free Engineering Hot Line: 800.645.5828 • P: 321.637.1000 • F: 321.637.1600

# RL-2251

G (TYP.)	H (MAX.)	MTG		MTG. SCREW		
		I (MAX.)	J (MAX.)	SIZE	QTY.	LBS (KG)
0.038SQ (0.97SQ)	1.500 (38.10)	N/A	N/A	#4	2	0.90 (0.41)
0.045SQ 1.14SQ)	N/A	2.1875 (55.56)	1.75 (44.45)	#6	4	1.15 (0.52)
0.045SQ 1.14SQ)	N/A	2.5000 (63.50)	2.00 (50.80)	#6	4	1.70 (0.77)

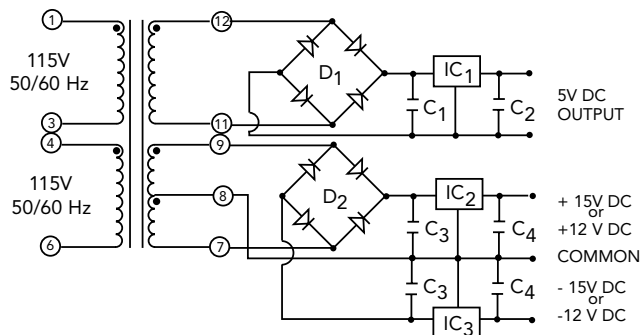
Renco Part No.	VA Size	DC OUTPUT		SUGGESTED COMPONENTS						
		Regulator I	Regulator II	C1	C3	IC1	IC2	IC3	D1	D2
RL-2251-20-512	20	5V @ 750 mA	±12V @ 200 mA	2.3KMFD @ 50 VDC	600 MFD @ 50VDC	LM-323K-5	LM-340K-12	LM-320K-12	PE20	PF20
RL-2251-20-515	20	5V @ 750 mA	±15V @ 175 mA	2.3KMFD @ 50 VDC	600 MFD @ 50VDC	LM-323K-5	LM-340K-15	LM-320K-15	PE20	PF20
RL-2251-30-512	30	5V @ 1.25 A	±12V @ 250 mA	4.1KMFD @ 15 VDC	1.1KMFD @ 50VDC	LM-323K-5	LM-340K-12	LM-320K-12	PE20	PF20
RL-2251-30-515	30	5V @ 1.25 A	±15V @ 200 mA	4.1KMFD @ 15 VDC	600MFD @ 50VDC	LM-323K-5	LM-340K-15	LM-320K-15	PE20	PF20
RL-2251-56-512	56	5V @ 3 A	±12V @ 300 mA	10.0KMFD @ 15 VDC	1.1KMFD @ 50VDC	LM-338	LM-340K-12	LM-320K-12	PE20	PF20
RL-2251-56-515	56	5V @ 3 A	±15V @ 250 mA	10.0KMFD @ 15 VDC	1.1KMFD @ 50VDC	LM-338	LM-340K-15	LM-320K-15	PE20	PF20

## NOTES:

1. ELECTRICAL SPECIFICATIONS MEASURED AT 25°C

PART NUMBER	PART WEIGHT
RL-2251-20	418.0g (14.74oz)
RL-2251-30	504.0g (17.18oz)
RL-2251-56	796.0g (28.08oz)

## SCHEMATIC



**RENCO ELECTRONICS INC.**

595 International Place, Rockledge, FL 32955-4200 USA • [www.rencousa.com](http://www.rencousa.com) • ISO 9001 Certified  
Toll Free Engineering Hot Line: 800.645.5828 • P: 321.637.1000 • F: 321.637.1600

