



RL-2250

50/60 HZ TRANSFORMERS

ALL/TRAN™



IEC-950
CERTIFIED
E176740

DESCRIPTION

- Two Section Linear Transformer

ENVIRONMENTAL DATA

- Storage temperature range: -55°C to +130°C
- Operating temperature range: -40°C to +130°C

PACKAGING INFORMATION

- Packaging information: pg. 508

FEATURES & APPLICATIONS

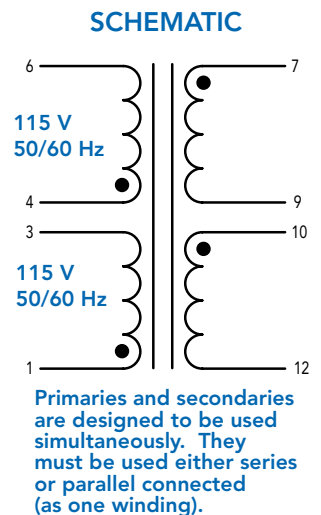
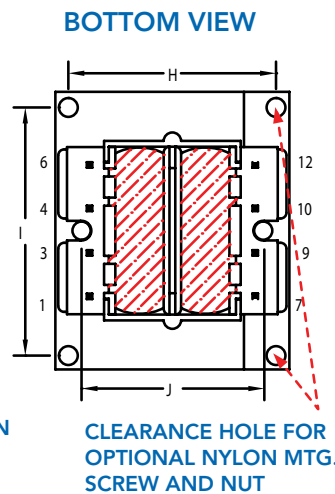
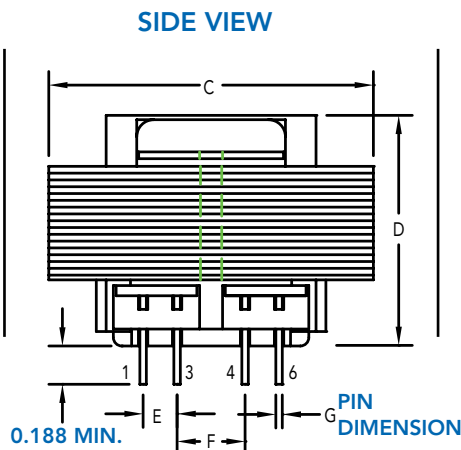
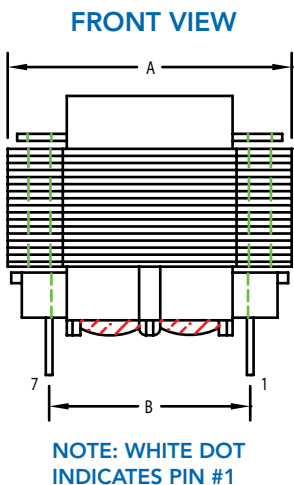
- Meets or exceeds UL, CSA, VDE and IEC specifications
- Incorporate advanced dual bobbin non-concentric design that reduces interwinding capacitance and eliminates the need for electrostatic shielding
- Since the windings are balanced, no primary circulating currents are present
- Use of high temperature, high stability materials results in excellent interwinding insulation and insulation between windings and core

Verify operation with sample in actual circuit. Order samples at www.rencousa.com.

MECHANICAL DIMENSIONS

U.S. Standard (mm)

PART NUMBER	VA (SIZE)	A (MAX.)	B (MAX.)	C (MAX.)	D (MAX.)	E (TYP.)	F (TYP.)
RL-2250	2.5	1.3125 (33.34)	1.000 (25.40)	1.625 (41.28)	1.1250 (28.58)	0.200 (5.08)	0.250 (6.35)
RL-2250	5	1.3125 (33.34)	1.000 (25.40)	1.625 (41.28)	1.3750 (34.93)	0.200 (5.08)	0.400 (10.16)
RL-2250	10	1.580 (40.13)	1.140 (28.96)	1.900 (48.26)	1.3750 (34.93)	0.200 (5.08)	0.400 (10.16)
RL-2250	20	1.8750 (47.63)	1.460 (37.08)	2.250 (57.15)	1.6250 (41.28)	0.400 (10.16)	0.400 (10.16)
RL-2250	30	1.1875 (30.16)	1.680 (42.67)	2.625 (66.68)	1.5625 (39.69)	0.550 (13.97)	0.275 (6.99)
RL-2250	56	2.5000 (63.50)	1.900 (48.26)	3.000 (76.20)	1.8125 (46.04)	0.600 (15.24)	0.300 (7.62)



RENCO ELECTRONICS INC.



595 International Place, Rockledge, FL 32955-4200 USA • www.rencousa.com • ISO 9001 Certified
Toll Free Engineering Hot Line: 800.645.5828 • P: 321.637.1000 • F: 321.637.1600



RL-2250

G (TYP.)	H (MAX.)	MTG		MTG. SCREW		
		I (MAX.)	J (MAX.)	SIZE	QTY.	LBS (KG)
0.025SQ (0.64SQ)	N/A	N/A	1.0625 (26.99)	#4	2	0.25 (0.11)
0.025SQ (0.64SQ)	N/A	N/A	1.0625 (26.99)	#4	2	0.37 (0.17)
0.038SQ (0.97SQ)	N/A	N/A	1.2500 (31.75)	#4	2	0.53 (0.24)
0.038SQ (0.97SQ)	N/A	N/A	1.5000 (38.10)	#4	2	0.90 (0.41)
0.045SQ (1.14SQ)	2.1875 (55.56)	1.75 (44.45)	N/A	#6	4	1.15 (0.52)
0.045SQ (1.14SQ)	2.5000 (63.50)	2.00 (50.80)	N/A	#6	4	1.70 (0.77)

PART NUMBER	PART WEIGHT
RL-2250-2.5	112.4g (3.96oz)
RL-2250-5.0	170.0g (6.01oz)
RL-2250-10	248.0g (8.74oz)
RL-2250-20	425.0g (15.01oz)
RL-2250-30	506.0g (17.89oz)
RL-2250-56	792.6g (27.95oz)



RL-2250

Renco Part Number	VA (Size)	SECONDARY RMS RATING	
		SERIES	PARALLEL
RL-2250-2.5-10	2.5	10V C.T. @ 0.25 A	5V @ 0.50 A
RL-2250-5.0-10	5.0	10V C.T. @ 0.50 A	5V @ 1.00 A
RL-2250-10-10	10	10V C.T. @ 1.00 A	5V @ 2.00 A
RL-2250-20-10	20	10V C.T. @ 2.00 A	5V @ 4.00 A
RL-2250-30-10	30	10V C.T. @ 3.00 A	5V @ 6.00 A
RL-2250-56-10	56	10V C.T. @ 5.60 A	5V @ 11.20 A
RL-2250-2.5-12	2.5	12.6V C.T. @ 0.20 A	6.3V @ 0.40 A
RL-2250-5.0-12	5	12.6V C.T. @ 0.40 A	6.3V @ 0.80 A
RL-2250-10-12	10	12.6V C.T. @ 0.80 A	6.3V @ 1.60 A
RL-2250-20-12	20	12.6V C.T. @ 1.60 A	6.3V @ 3.20 A
RL-2250-30-12	30	12.6V C.T. @ 2.40 A	6.3V @ 4.80 A
RL-2250-56-12	56	12.6V C.T. @ 4.40 A	6.3V @ 8.80 A
RL-2250-2.5-16	2.5	16V C.T. @ 0.15 A	8V @ 0.30 A
RL-2250-5.0-16	5	16V C.T. @ 0.31 A	8V @ 0.62 A
RL-2250-10-16	10	16V C.T. @ 0.62 A	8V @ 1.25 A
RL-2250-20-16	20	16V C.T. @ 1.25 A	8V @ 2.50 A
RL-2250-30-16	30	16V C.T. @ 1.90 A	8V @ 3.80 A
RL-2250-56-16	56	16V C.T. @ 3.50 A	8V @ 7.00 A
RL-2250-2.5-20	2.5	20V C.T. @ 0.12 A	10V @ 0.24 A
RL-2250-5.0-20	5	20V C.T. @ 0.25 A	10V @ 0.50 A
RL-2250-10-20	10	20V C.T. @ 0.50 A	10V @ 1.00 A
RL-2250-20-20	20	20V C.T. @ 1.00 A	10V @ 2.00 A
RL-2250-30-20	30	20V C.T. @ 1.50 A	10V @ 3.00 A
RL-2250-56-20	56	20V C.T. @ 2.80 A	10V @ 5.60 A
RL-2250-2.5-24	2.5	24V C.T. @ 0.10 A	12V @ 0.20 A
RL-2250-5.0-24	5	24V C.T. @ 0.21 A	12V @ 0.42 A
RL-2250-10-24	10	24V C.T. @ 0.42 A	12V @ 0.84 A
RL-2250-20-24	20	24V C.T. @ 0.83 A	12V @ 1.66 A
RL-2250-30-24	30	24V C.T. @ 1.25 A	12V @ 2.50 A
RL-2250-56-24	56	24V C.T. @ 2.33 A	12V @ 4.66 A
RL-2250-2.5-28	2.5	28V C.T. @ 0.09 A	14V @ 0.18 A
RL-2250-5.0-28	5	28V C.T. @ 0.18 A	14V @ 0.36 A
RL-2250-10-28	10	28V C.T. @ 0.36 A	14V @ 0.72 A
RL-2250-20-28	20	28V C.T. @ 0.72 A	14V @ 1.44 A
RL-2250-30-28	30	28V C.T. @ 1.06 A	14V @ 2.12 A
RL-2250-56-28	56	28V C.T. @ 2.00 A	14V @ 4.00 A
RL-2250-2.5-36	2.5	36V C.T. @ 0.07 A	18V @ 0.14 A
RL-2250-5.0-36	5	36V C.T. @ 0.14 A	18V @ 0.28 A
RL-2250-10-36	10	36V C.T. @ 0.28 A	18V @ 0.56 A
RL-2250-20-36	20	36V C.T. @ 0.56 A	18V @ 1.12 A
RL-2250-30-36	30	36V C.T. @ 0.82 A	18V @ 1.64 A
RL-2250-56-36	56	36V C.T. @ 1.56 A	18V @ 3.12 A

NOTES: ELECTRICAL SPECIFICATIONS MEASURED AT 25°C



RENCO ELECTRONICS INC.

595 International Place, Rockledge, FL 32955-4200 USA • www.rencousa.com • ISO 9001 Certified
Toll Free Engineering Hot Line: 800.645.5828 • P: 321.637.1000 • F: 321.637.1600

