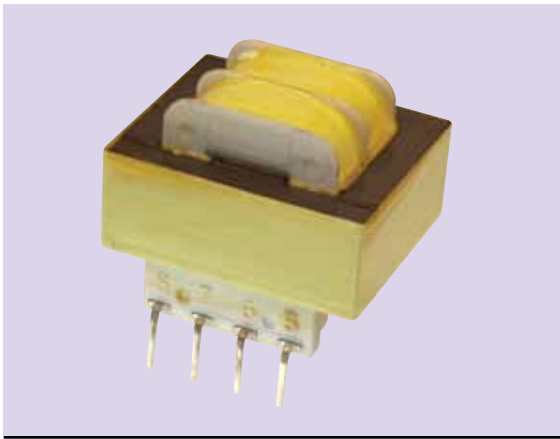




# RL-2240

## 50/60 HZ TRANSFORMERS



### DESCRIPTION

- Dual Transformer

### ENVIRONMENTAL DATA

- Storage temperature range: -55°C to +130°C
- Operating temperature range: -40°C to +130°C

### PACKAGING INFORMATION

- Packaging information: pg. 494

### FEATURES & APPLICATIONS

- Advanced design and manufacturing techniques of using split bobbins and nonconcentric winding of the primary and secondary results in low interwinding capacitive coupling and eliminates the need for electrostatic shielding
- Avoids crossover of primary and secondary leads
- Can be used in a wide variety of applications since they can be supplied with single 115 VAC or dual 115/230 VAC primaries for 50/60 Hz operation

Verify operation with sample in actual circuit. Order samples at [www.rencousa.com](http://www.rencousa.com).

### MECHANICAL DIMENSIONS

U.S. Standard (mm)

PART NUMBER	SIZE	VA	A (MAX.)	B (TYP.)	C (TYP.)	D (MAX.)	E (MAX.)	F (TYP.)
RL-2240	2	1.1	1.375 (34.93)	0.25 (6.35)	0.25 (6.35)	1.1250 (28.58)	0.9375 (23.81)	1.20 (30.48)
RL-2240	3	2.4	1.375 (34.93)	0.25 (6.35)	0.25 (6.35)	1.1250 (28.58)	1.1875 (30.16)	1.20 (30.48)
RL-2240	4	6	1.625 (41.28)	0.25 (6.35)	0.30 (8.89)	1.3125 (33.34)	1.3125 (33.34)	1.28 (32.51)
RL-2240	5	12	1.875 (47.63)	0.30 (7.62)	0.40 (10.16)	1.5625 (39.69)	1.4375 (36.51)	1.41 (35.81)
RL-2240	6	20	2.250 (57.15)	0.30 (7.62)	0.40 (10.16)	1.8750 (47.63)	1.4375 (36.51)	1.60 (40.64)
RL-2240	7	36	2.625 (66.68)	0.40 (10.16)	0.40 (10.16)	2.1875 (55.56)	1.5625 (39.69)	1.85 (46.99)

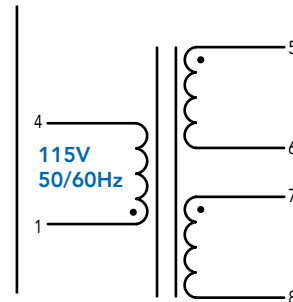
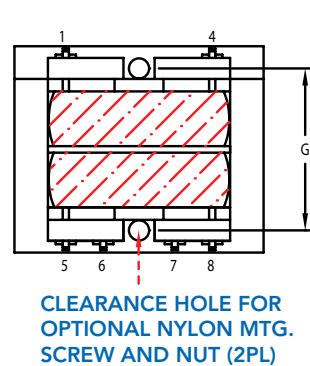
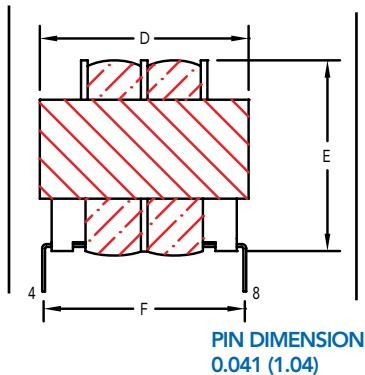
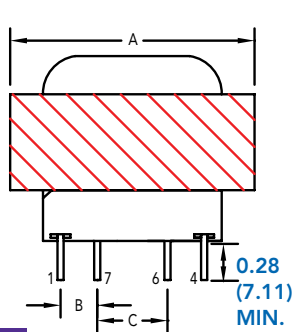
FRONT VIEW

SIDE VIEW

BOTTOM VIEW

SCHEMATIC

G (MAX.)



-	-
-	1.3125 (33.34)
-	1.250 (31.75)
-	1.500 (38.10)
-	*

NOTE: WHITE DOT INDICATES PIN #1

NOTE: PINS 2 AND 3 OMITTED

TRANSFORMERS



RENCO ELECTRONICS INC.

595 International Place, Rockledge, FL 32955-4200 USA • [www.rencousa.com](http://www.rencousa.com) • ISO 9001 Certified  
Toll Free Engineering Hot Line: 800.645.5828 • P: 321.637.1000 • F: 321.637.1600



# RL-2240

Renco Part Number		SECONDARY RMS RATING	
Single 115V	6 Pin	Series	Parallel
RL-2240-2-10		10V C.T. @ 0.11 A	5V @ 0.22 A
RL-2240-3-10		10V C.T. @ 0.25 A	5V @ 0.50 A
RL-2240-4-10		10V C.T. @ 0.60 A	5V @ 1.20 A
RL-2240-5-10		10V C.T. @ 1.20 A	5V @ 2.40 A
RL-2240-6-10		10V C.T. @ 2.00 A	5V @ 4.00 A
RL-2240-7-10		10V C.T. @ 3.60 A	5V @ 7.20 A
RL-2240-2-12		12.6V C.T. @ 0.09 A	6.3V @ 0.18 A
RL-2240-3-12		12.6V C.T. @ 0.20 A	6.3V @ 0.40 A
RL-2240-4-12		12.6V C.T. @ 0.50 A	6.3V @ 1.00 A
RL-2240-5-12		12.6V C.T. @ 1.00 A	6.3V @ 2.00 A
RL-2240-6-12		12.6V C.T. @ 1.60 A	6.3V @ 3.20 A
RL-2240-7-12		12.6V C.T. @ 2.85 A	6.3V @ 5.70 A
RL-2240-2-16		16V C.T. @ 0.07 A	8V @ 0.14 A
RL-2240-3-16		16V C.T. @ 0.15 A	8V @ 0.30 A
RL-2240-4-16		16V C.T. @ 0.40 A	8V @ 0.80 A
RL-2240-5-16		16V C.T. @ 0.80 A	8V @ 1.60 A
RL-2240-6-16		16V C.T. @ 1.25 A	8V @ 2.50 A
RL-2240-7-16		16V C.T. @ 2.25 A	8V @ 4.50 A
RL-2240-2-20		20V C.T. @ 0.05 A	10V @ 0.11 A
RL-2240-3-20		20V C.T. @ 0.12 A	10V @ 0.24 A
RL-2240-4-20		20V C.T. @ 0.30 A	10V @ 0.60 A
RL-2240-5-20		20V C.T. @ 0.60 A	10V @ 1.20 A
RL-2240-6-20		20V C.T. @ 1.00 A	10V @ 2.00 A
RL-2240-7-20		20V C.T. @ 1.80 A	10V @ 3.60 A
RL-2240-2-24		24V C.T. @ 0.045 A	12V @ 0.09 A
RL-2240-3-24		24V C.T. @ 0.10 A	12V @ 0.20 A
RL-2240-4-24		24V C.T. @ 0.25 A	12V @ 0.50 A
RL-2240-5-24		24V C.T. @ 0.50 A	12V @ 1.00 A
RL-2240-6-24		24V C.T. @ 0.80 A	12V @ 1.60 A
RL-2240-7-24		24V C.T. @ 1.50 A	12V @ 3.00 A
RL-2240-2-28		28V C.T. @ 0.04 A	14V @ 0.08 A
RL-2240-3-28		28V C.T. @ 0.085 A	14V @ 0.17 A
RL-2240-4-28		28V C.T. @ 0.20 A	14V @ 0.40 A
RL-2240-5-28		28V C.T. @ 0.42 A	14V @ 0.84 A
RL-2240-6-28		28V C.T. @ 0.70 A	14V @ 1.40 A
RL-2240-7-28		28V C.T. @ 1.30 A	14V @ 2.60 A
RL-2240-2-36		36V C.T. @ 0.03 A	18V @ 0.06 A
RL-2240-3-36		36V C.T. @ 0.065 A	18V @ 0.13 A
RL-2240-4-36		36V C.T. @ 0.17 A	18V @ 0.34 A
RL-2240-5-36		36V C.T. @ 0.35 A	18V @ 0.70 A
RL-2240-6-36		36V C.T. @ 0.55 A	18V @ 1.10 A
RL-2240-7-36		36V C.T. @ 1.00 A	18V @ 1.00 A

RL-2240 TABLE CONTINUES ON FOLLOWING PAGE

NOTES:  
1. ELECTRICAL SPECIFICATIONS MEASURED AT 25°C



**RENCO ELECTRONICS INC.**



595 International Place, Rockledge, FL 32955-4200 USA • [www.rencousa.com](http://www.rencousa.com) • ISO 9001 Certified  
Toll Free Engineering Hot Line: 800.645.5828 • P: 321.637.1000 • F: 321.637.1600

# RL-2240

Renco Part Number Single 115V 6 Pin	SECONDARY RMS RATING	
	Series	Parallel
RL-2240-2-48	48V C.T. @ 0.023 A	24V @ 0.046 A
RL-2240-3-48	48V C.T. @ 0.05 A	24V @ 0.10 A
RL-2240-4-48	48V C.T. @ 0.125 A	24V @ 0.25 A
RL-2240-5-48	48V C.T. @ 0.25 A	24V @ 0.50 A
RL-2240-6-48	48V C.T. @ 0.40 A	24V @ 0.80 A
RL-2240-7-48	48V C.T. @ 0.75 A	24V @ 1.50 A
RL-2240-2-56	56V C.T. @ 0.02 A	28V @ 0.042 A
RL-2240-3-56	56V C.T. @ 0.045 A	28V @ 0.09 A
RL-2240-4-56	56V C.T. @ 0.11 A	28V @ 0.22 A
RL-2240-5-56	56V C.T. @ 0.22 A	28V @ 0.44 A
RL-2240-6-56	56V C.T. @ 0.35 A	28V @ 0.70 A
RL-2240-7-56	56V C.T. @ 0.65 A	28V @ 1.30 A
RL-2240-2-120	120V C.T. @ 0.01 A	60V @ 0.02 A
RL-2240-3-120	120V C.T. @ 0.02 A	60V @ 0.04 A
RL-2240-4-120	120V C.T. @ 0.05 A	60V @ 0.10 A
RL-2240-5-120	120V C.T. @ 0.10 A	60V @ 0.20 A
RL-2240-6-120	120V C.T. @ 0.16 A	60V @ 0.32 A
RL-2240-7-120	120V C.T. @ 0.30 A	60V @ 0.60 A

**NOTES:**

1. ELECTRICAL SPECIFICATIONS MEASURED AT 25°C

PART NUMBER	PART WEIGHT
RL-2240-2	68.0g (2.40oz)
RL-2240-3	107.0g (3.77oz)
RL-2240-4	174.0g (6.14oz)
RL-2240-5	291.0g (10.27oz)
RL-2240-6	367.0g (12.95oz)
RL-2240-7	514.0g (18.13oz)

PART NUMBER	VA	SIZE	OPTIONAL MTG SCREW NUT
RL-2240	2	1.1	NONE
RL-2240	3	2.4	NONE
RL-2240	4	6	4-40 NYLON
RL-2240	5	12	4-40 NYLON
RL-2240	6	20	4-40 NYLON
RL-2240	7	36	*

\* SIZE 7 HAS 4 MOUNTING HOLES ON  
2.1875 (55.56) X 1.75 (44.45) CENTERS  
FOR A #6 SCREW. NEED NOT BE NYLON.

