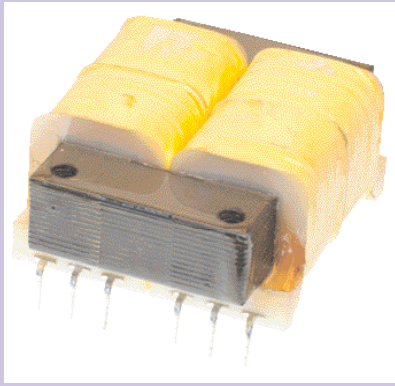




RL-2231

FLAT/TRAN LOW PROFILE PRINTED CIRCUIT MOUNT TRIPLE OUTPUT POWER TRANSFORMERS



DESCRIPTION

- Power Transformer
- Triple Output

ENVIRONMENTAL DATA

- Storage temperature range: -55°C to +130°C
- Operating temperature range: -40°C to +130°C

PACKAGING INFORMATION

- Packaging information: pg. 508

FEATURES & APPLICATIONS

- Has a triple output designed for 5 VDC and ± 12 VDC or ± 15 VDC regulated power supplies
- These low profile (0.85" and 1.065" high) transformers with PCB mount capability are available in rating of 6 VA to 12 VA
- Designed with dual primaries (115/230 V nominal - 50/60 Hz) and input range of (100 V to 130 V or 200 V to 260 V - 50/60 Hz)
- The split bobbin construction eliminates the need for electrostatic shielding
- Hipot tested at 1500 VRMS

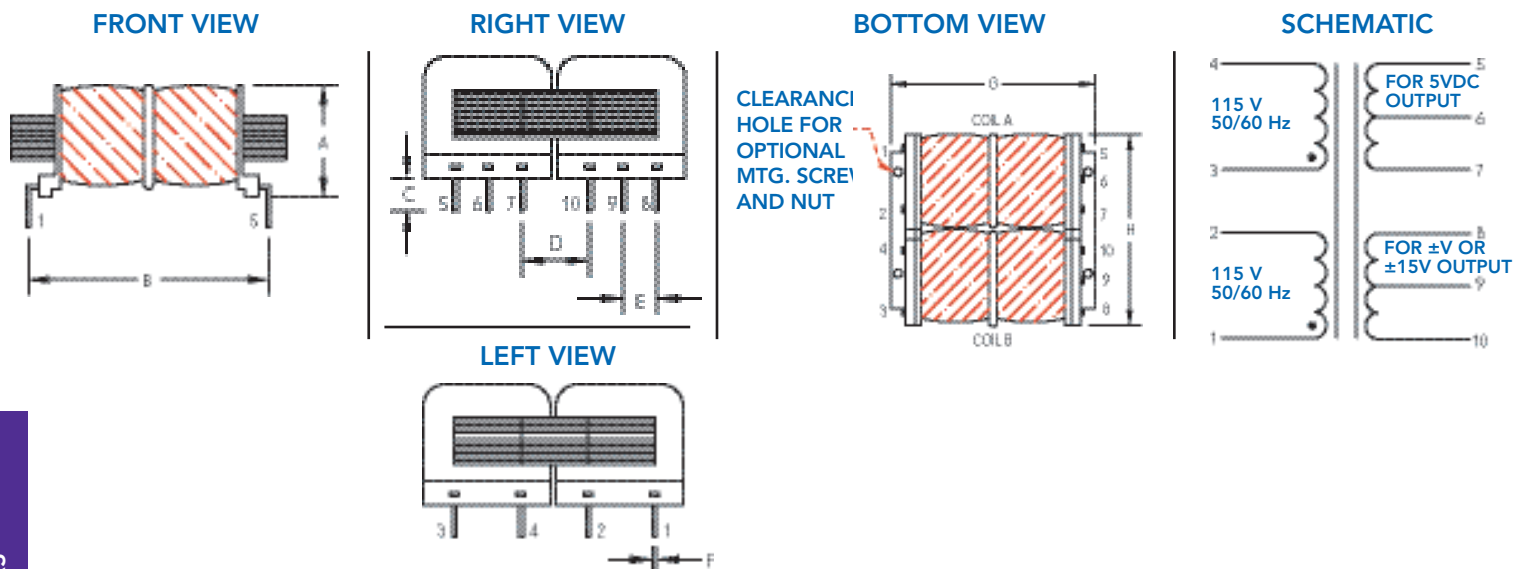
Verify operation with sample in actual circuit. Order samples at www.rencousa.com.

MECHANICAL DIMENSIONS

U.S. Standard (mm)

PART NUMBER	VA (SIZE)	A (MAX.)	B (TYP.)	C (MIN.)	D (TYP.)	E (TYP.)	F (TYP.)
RL-2231	6	0.850 (21.60)	1.60 (40.60)	0.25 (6.35)	0.375 (9.50)	0.187 (4.70)	0.041 (1.04)
RL-2231	12	1.065 (27.10)	2.00 (50.80)	0.25 (6.35)	0.500 (12.70)	0.250 (6.35)	0.041 (1.04)

PART NUMBER	PART WEIGHT	G (MAX.)	H (MAX.)
RL-2231-6	138.0g (4.87oz)	1.87 (47.60)	1.56 (39.70)
RL-2231-12	308.0g (10.86oz)	2.50 (63.50)	2.00 (50.80)



RENCO ELECTRONICS INC.

595 International Place, Rockledge, FL 32955-4200 USA • www.rencousa.com • ISO 9001 Certified
Toll Free Engineering Hot Line: 800.645.5828 • P: 321.637.1000 • F: 321.637.1600



RL-2231

Renco Part No. Primary 50/60Hz	VA Size	DC OUTPUT	
		Regulator I	Regulator II
RL-2231-6-12	6.0	5 VDC 135 mA	±12 VDC 40 mA
RL-2231-6-15	6.0	5 VDC 135 mA	±15 VDC 35 mA
RL-2231-12-12	12.0	5 VDC 270 mA	±12 VDC 85 mA
RL-2231-12-15	12.0	5 VDC 270 mA	±15 VDC 70 mA

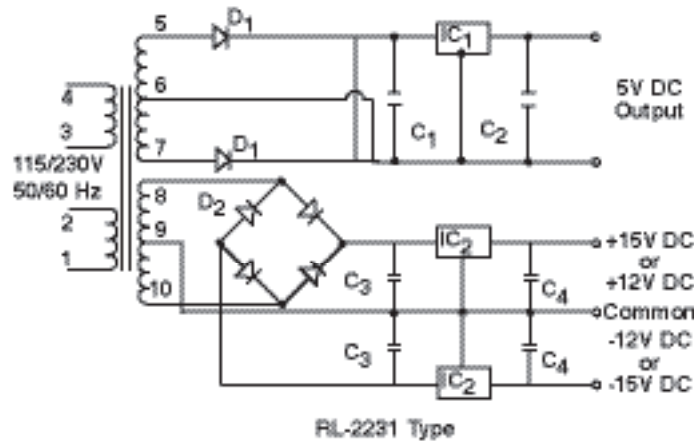
Renco Part No. Primary 50/60Hz	SUGGESTED COMPONENTS							
	C1	C2	C3	C4	D1	D2	IC1*	IC2*
RL-2231-6-12	1000MFD 20V	2.7MFD 20V	150MFD 50V	10MFD 20V	1N4001	1N4002	LM342P-5.0	LM326N
RL-2231-6-15	1000MFD 20V	2.7MFD 20V	150MFD 50F	10MFD 20V	1N4001	1N4002	LM342P-5.0	LM325N
RL-2231-12-12	2100MFD 30V	2.7MFD 20V	250MFD 50V	10MFD 20V	1N4001	1N4002	LM341P-5.0	LM326N
RL-2231-12-15	2100MFD 30V	2.7MFD 20V	250MFD 50V	10MFD 20V	1N4001	1N4002	LM341P-5.0	LM325N

*TEXAS INSTRUMENTS
(FORMALLY NATIONAL SEMICONDUCTOR)

NOTES:

1. ELECTRICAL SPECIFICATIONS MEASURED AT 25°C

SCHEMATIC



RENCO ELECTRONICS INC.

595 International Place, Rockledge, FL 32955-4200 USA • www.rencousa.com • ISO 9001 Certified
Toll Free Engineering Hot Line: 800.645.5828 • P: 321.637.1000 • F: 321.637.1600

