



RL-2226

FILTER CHOKES

DESCRIPTION

- Filter Chokes

ENVIRONMENTAL DATA

- Storage temperature range: -55°C to +130°C
- Operating temperature range: -40°C to +130°C

PACKAGING INFORMATION

- Packaging information: pg. 507

FEATURES & APPLICATIONS

- High current ferrite core inductors ideally suited for noise filtering in switching regulated power supplies, power filter networks, power amplifiers, SCR, and TRIAC control circuits
- Polyolefin shrink tube cover is used to protect and insulate outer windings
- Manufactured with pre-tinned radial leads for easy PCB insertion

Verify operation with sample in actual circuit. Order samples at www.rencousa.com.

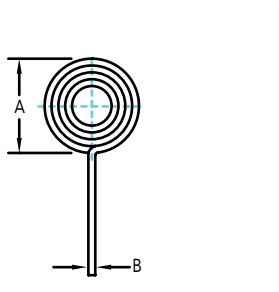
MECHANICAL DIMENSIONS

U.S. Standard (mm)

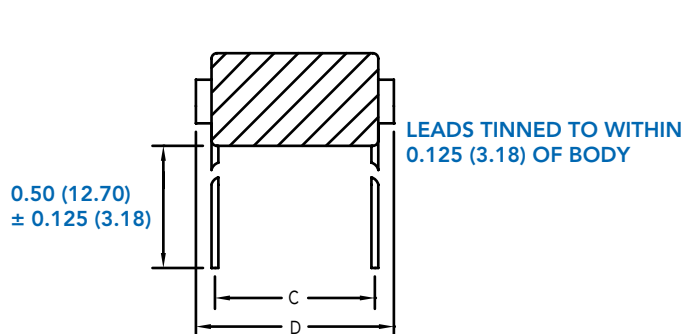
PART NUMBER	A (MAX.)	B ±0.005 (0.13)	C ±0.62 (1.59)	D (MAX.)	PART NUMBER	PART WEIGHT
RL-2226-3-5	0.625 (15.88)	0.042 (1.067)	0.500 (12.70)	0.875 (22.23)	RL-2226-3	33.0g (1.16oz)
RL-2226-3-10	0.625 (15.88)	0.042 (1.067)	0.687 (17.45)	1.125 (28.58)	RL-2226-5	48.0g (1.70oz)
RL-2226-3-27	0.812 (20.62)	0.042 (1.067)	0.437 (11.10)	0.875 (22.23)	RL-2226-10	58.0g (2.05oz)
RL-2226-3-50	0.812 (20.62)	0.042 (1.067)	0.750 (19.05)	0.875 (22.23)	RL-2226-15	69.0g (2.43oz)
RL-2226-3-100	0.812 (20.62)	0.042 (1.067)	0.937 (23.80)	1.125 (28.58)		
RL-2226-3-150	0.812 (20.62)	0.042 (1.067)	1.062 (26.97)	1.375 (34.93)		
RL-2226-3-250	0.812 (20.62)	0.042 (1.067)	1.312 (33.32)	1.625 (41.28)		

DIMENSIONS CONTINUED ON NEXT PAGE

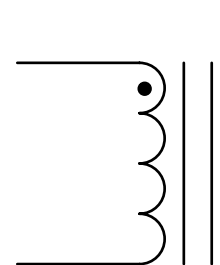
FRONT VIEW



SIDE VIEW



SCHEMATIC



RENCO ELECTRONICS INC.

595 International Place, Rockledge, FL 32955-4200 USA • www.rencousa.com • ISO 9001 Certified
Toll Free Engineering Hot Line: 800.645.5828 • P: 321.637.1000 • F: 321.637.1600



RL-2226

MECHANICAL DIMENSIONS (CONTINUED)

U.S. Standard (mm)

Renco Part No. RL-2226	A (MAX.)	B ±.005(0.13)	C ±0.62(1.59)	D (MAX.)
RL-2226-5-5	0.640 (16.26)	0.053 (1.35)	0.750 (19.05)	0.875 (22.23)
RL-2226-5-10	0.640 (16.26)	0.053 (1.35)	1.000 (25.40)	1.125 (28.58)
RL-2226-5-27	0.875 (22.23)	0.053 (1.35)	0.562 (14.27)	0.875 (22.23)
RL-2226-5-50	0.875 (22.23)	0.053 (1.35)	0.750 (19.05)	1.125 (28.58)
RL-2226-5-68	0.875 (22.23)	0.053 (1.35)	0.875 (22.23)	1.125 (28.58)
RL-2226-5-100	0.875 (22.23)	0.053 (1.35)	1.000 (25.40)	1.375 (34.93)
RL-2226-5-150	0.875 (22.23)	0.053 (1.35)	1.250 (31.75)	1.625 (41.28)
RL-2226-10-5	0.687 (17.45)	0.065 (1.65)	0.812 (20.62)	1.125 (28.58)
RL-2226-10-10	0.687 (17.45)	0.065 (1.65)	1.218 (30.94)	1.375 (34.93)
RL-2226-10-27	0.937 (23.80)	0.065 (1.65)	0.687 (17.45)	1.125 (28.58)
RL-2226-10-50	0.937 (23.80)	0.065 (1.65)	0.937 (23.80)	1.375 (34.93)
RL-2226-10-68	0.937 (23.80)	0.065 (1.65)	1.125 (28.58)	1.375 (34.93)
RL-2226-10-100	0.937 (23.80)	0.065 (1.65)	1.312 (33.32)	1.625 (41.28)
RL-2226-15-5	0.725 (18.42)	0.082 (2.08)	0.937 (23.80)	1.375 (34.93)
RL-2226-15-10	0.725 (18.42)	0.082 (2.08)	1.500 (38.10)	1.687 (42.85)
RL-2226-15-27	1.000 (25.40)	0.082 (2.08)	0.937 (23.80)	1.375 (34.93)
RL-2226-15-50	1.000 (25.40)	0.082 (2.08)	0.062 (1.57)	1.625 (41.28)

RL-2226 TABLE CONTINUES ON FOLLOWING PAGE



RENCO ELECTRONICS INC.

595 International Place, Rockledge, FL 32955-4200 USA • www.rencousa.com • ISO 9001 Certified
Toll Free Engineering Hot Line: 800.645.5828 • P: 321.637.1000 • F: 321.637.1600



RL-2226

ELECTRICAL SPECIFICATIONS

Renco Part No. RL-2226	Inductance (μ H)	I _{rms} (A)	DCR Max. (Ohms)	Self-Resonant Frequency (MHz) (Min.)	I _{sat} (A)
RL-2226-3-5	5.0	3.0	0.015	40.0	19.0
RL-2226-3-10	10.0	3.0	0.018	25.0	17.0
RL-2226-3-27	27.0	3.0	0.035	8.0	15.0
RL-2226-3-50	50.0	3.0	0.050	5.0	12.0
RL-2226-3-100	100.0	3.0	0.065	2.5	8.0
RL-2226-3-150	150.0	3.0	0.075	2.0	5.0
RL-2226-3-250	250.0	3.0	0.090	1.0	3.0
RL-2226-5-5	5.0	5.0	0.012	30.0	20.0
RL-2226-5-10	10.0	5.0	0.015	20.0	18.0
RL-2226-5-27	27.0	5.0	0.025	7.0	15.0
RL-2226-5-50	50.0	5.0	0.030	4.0	10.0
RL-2226-5-68	68.0	5.0	0.035	3.5	9.0
RL-2226-5-100	100.0	5.0	0.050	2.5	7.0
RL-2226-5-150	150.0	5.0	0.060	2.0	5.0
RL-2226-5-250	250.0	5.0	0.070	1.0	3.0
RL-2226-10-5	5.0	10.0	0.010	30.0	19.0
RL-2226-10-10	10.0	10.0	0.012	20.0	17.0
RL-2226-10-27	27.0	10.0	0.018	7.0	15.0
RL-2226-10-50	50.0	10.0	0.025	4.0	9.0
RL-2226-10-68	68.0	10.0	0.027	3.5	8.0
RL-2226-10-100	100.0	10.0	0.030	2.5	6.0
RL-2226-15-5	5.0	15.0	0.008	30.0	20.0
RL-2226-15-10	10.0	15.0	0.010	20.0	17.0
RL-2226-15-27	27.0	15.0	0.015	7.0	14.0
RL-2226-15-50	50.0	15.0	0.020	4.0	9.0

NOTES:

1. ELECTRICAL SPECIFICATIONS MEASURED AT 25°C
2. I_{sat} - DC CURRENT THAT WILL CAUSE INDUCTANCE TO DROP BY 5% TYPICAL
3. I_{rms} - CURRENT THAT CAUSES THE TEMPERATURE TO RISE APPROX. 40°C ABOVE AMBIENT OF 25°C
4. INDUCTANCE \pm 10% TESTED AT 1.0 kHz, 0.25 V_{rms}
5. PART FINISHED WITH 135°C POLYOLEFIN SLEEVING THAT MEETS UL-224 VW-1



RENCO ELECTRONICS INC.

595 International Place, Rockledge, FL 32955-4200 USA • www.rencousa.com • ISO 9001 Certified
Toll Free Engineering Hot Line: 800.645.5828 • P: 321.637.1000 • F: 321.637.1600

