

RL-1386

SWINGDUCTOR™

SELF LEADED

DESCRIPTION

- Swinging Choke In Toroid Packaging

ENVIRONMENTAL DATA

- Storage temperature range: -55°C to +130°C
- Operating temperature range: -40°C to +130°C

PACKAGING INFORMATION

- Packaging information: pg. 493

FEATURES & APPLICATIONS

- Primarily designed for use in applications that require a known inductance change with changing current loads in power supplies
- Special core material allows "controlled saturation" for a repeatable specific inductance value at a specific current up to 1 MHz.
- As a result of the toroidal design, Swingductors produce a closed magnetic field resulting in low EMI

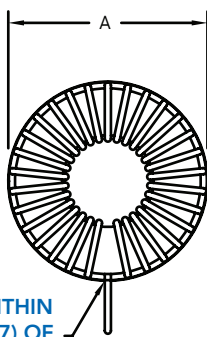
Verify operation with sample in actual circuit. Order samples at www.rencousa.com.

MECHANICAL DIMENSIONS

U.S. Standard (mm)

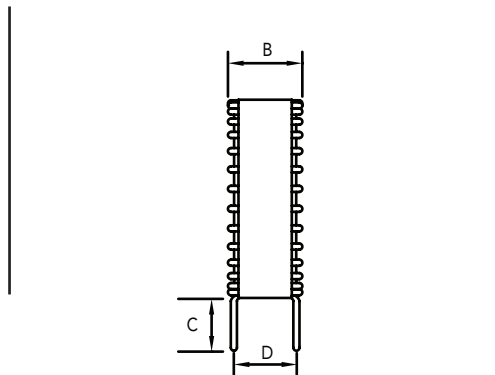
PART NUMBER	A (MAX.)	B (MAX.)	C (MIN.)	D (NOM.)	PART WEIGHT
RL-1386-1	1.100 (27.940)	0.500 (12.700)	0.375 (9.52)	0.375 (9.524)	12.0g (0.42oz)
RL-1386-2	1.450 (36.830)	0.875 (22.225)	0.375 (9.52)	0.625 (15.875)	40.0g (1.41oz)
RL-1386-3	1.800 (45.720)	0.900 (22.860)	0.375 (9.52)	0.775 (19.685)	62.0g (2.19oz)
RL-1386-4	2.000 (50.800)	1.100 (27.940)	0.375 (9.52)	0.950 (24.130)	124.0g (4.37oz)
RL-1386-5	2.600 (66.040)	1.500 (38.100)	0.375 (9.52)	1.200 (30.480)	228.0g (8.04 oz)

FRONT VIEW



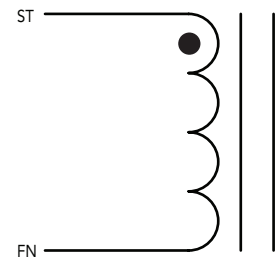
TIN TO WITHIN
0.062 (1.57) OF
MOUNTING PLANE

SIDE VIEW



* EASILY FORMABLE

SCHEMATIC



RENCO ELECTRONICS INC.

595 International Place, Rockledge, FL 32955-4200 USA • www.rencousa.com • ISO 9001 Certified
Toll Free Engineering Hot Line: 800.645.5828 • P: 321.637.1000 • F: 321.637.1600



RL-1386-1

Renco Part No. RL-1386-1	L@ 0 Amps D.C. (μH) ± 25%	DCR Max. (Ohms)	Irms (A) Max.	0% L Drop (DC Amps)	10% L Drop (DC Amps)	20% L Drop (DC Amps)	30% L Drop (DC Amps)	40% L Drop (DC Amps)	50% L Drop (DC Amps)	Lead Dia. in. (mm)
RL-1386-1-1.1	1.1	0.005	5.0	4.70	13.00	19.40	26.80	35.10	46.1	0.039 (1.00)
RL-1386-1-1.8	1.8	0.006	5.0	3.70	10.30	15.50	21.40	28.10	36.9	0.039 (1.00)
RL-1386-1-2.3	2.3	0.007	5.0	3.10	8.60	12.90	17.90	23.40	30.7	0.039 (1.00)
RL-1386-1-3.3	3.3	0.007	5.0	2.60	7.40	11.70	15.30	20.10	26.4	0.039 (1.00)
RL-1386-1-4.7	4.7	0.008	5.0	2.30	6.50	9.70	13.40	17.60	23.10	0.039 (1.00)
RL-1386-1-5.6	5.6	0.009	5.0	2.10	5.70	8.60	11.90	15.60	20.50	0.039 (1.00)
RL-1386-1-6.8	6.8	0.010	5.0	1.90	5.20	7.50	10.70	14.10	18.50	0.039 (1.00)
RL-1386-1-8.2	8.2	0.010	5.0	1.70	4.70	7.10	9.70	12.80	16.80	0.039 (1.00)
RL-1386-1-10	10.0	0.011	5.0	1.50	4.30	6.50	8.90	11.70	15.40	0.039 (1.00)
RL-1386-1-12	12.0	0.012	5.0	1.30	3.70	5.60	7.70	10.10	13.20	0.039 (1.00)
RL-1386-1-15	15.0	0.013	5.0	1.20	3.20	4.80	6.70	8.80	11.50	0.039 (1.00)
RL-1386-1-18	18.0	0.014	5.0	0.96	2.70	4.10	5.60	7.40	9.70	0.039 (1.00)
RL-1386-1-22	22.0	0.015	5.0	0.92	2.60	3.90	5.40	7.10	9.30	0.039 (1.00)
RL-1386-1-27	27.0	0.016	5.0	0.84	2.40	3.50	4.90	6.40	8.40	0.039 (1.00)
RL-1386-1-33	33.0	0.016	5.0	0.74	2.10	3.10	4.30	5.60	7.40	0.039 (1.00)
RL-1386-1-39	39.0	0.018	5.0	0.68	1.90	2.90	4.00	5.20	6.80	0.039 (1.00)
RL-1386-1-47	47.0	0.019	5.0	0.61	1.70	2.60	3.60	4.70	6.20	0.039 (1.00)
RL-1386-1-56	56.0	0.022	5.0	0.58	1.60	2.40	3.40	4.40	5.80	0.039 (1.00)
RL-1386-1-68	68.0	0.023	5.0	0.52	1.50	2.20	3.10	4.00	5.30	0.039 (1.00)
RL-1386-1-82	82.0	0.025	5.0	0.47	1.30	2.00	2.80	3.60	4.70	0.039 (1.00)
RL-1386-1-100	100.0	0.029	5.0	0.43	1.20	1.90	2.60	3.50	4.40	0.039 (1.00)
RL-1386-1-120	120.0	0.032	5.0	0.40	1.10	1.70	2.30	3.10	4.00	0.039 (1.00)
RL-1386-1-150	150.0	0.036	5.0	0.36	1.00	1.50	2.10	2.80	3.60	0.039 (1.00)
RL-1386-1-180	180.0	0.044	5.0	0.30	0.92	1.40	1.90	2.80	3.30	0.039 (1.00)
RL-1386-1-220	220.0	0.054	4.5	0.30	0.83	1.20	1.70	2.50	3.00	0.037 (0.95)
RL-1386-1-270	270.0	0.061	4.5	0.27	0.79	1.40	1.60	2.30	2.70	0.037 (0.95)
RL-1386-1-330	330.0	0.088	3.5	0.23	0.64	1.60	1.30	2.10	2.30	0.031 (0.80)
RL-1386-1-390	390.0	0.096	3.5	0.21	0.60	0.90	1.30	1.80	2.20	0.031 (0.80)
RL-1386-1-470	470.0	0.110	3.5	0.20	0.57	0.85	1.20	1.60	2.10	0.031 (0.80)
RL-1386-1-560	560.0	0.172	2.0	0.18	0.50	0.74	1.00	1.40	1.80	0.025 (0.65)
RL-1386-1-680	680.0	0.198	2.0	0.16	0.46	0.68	0.95	1.30	1.70	0.025 (0.65)
RL-1386-1-820	820.0	0.250	1.5	0.15	0.42	0.64	0.89	1.20	1.50	0.023 (0.60)
RL-1386-1-1000	1000.0	0.286	1.5	0.14	0.38	0.57	0.79	1.20	1.40	0.023 (0.60)
RL-1386-1-1200	1200.0	0.407	1.2	0.12	0.33	0.50	0.68	0.90	1.20	0.020 (0.50)
RL-1386-1-1500	1500.0	0.469	1.2	0.11	0.30	0.44	0.61	0.81	1.10	0.020 (0.50)

NOTES:

1. INDUCTANCE MEASURED AT 1 kHz, 0.1 Vrms
2. ELECTRICAL SPECIFICATIONS MEASURED AT 25°C
3. SATURATION CURRENTS SHOWN ARE FOR MAXIMUM L DROP INDICATED, I.E., IF 20% DROP FOR A 100μH CHOKE IS AT 2 AMPS, THE L WILL BE APPROX. 80μH (60μH MIN.)
4. LEADS FOR PC MOUNTING TINNED TO WITHIN 1/16" OF BODY
5. ENCAPSULATION AVAILABLE
6. NONSTANDARD VALUES AVAILABLE ON REQUEST
7. HORIZONTAL MOUNTED UNITS ALSO AVAILABLE
8. ADDITIONAL MOUNTING IS RECOMMENDED ON LARGER UNITS AND UNITS WOUND WITH FINER WIRE
9. DRIVE LEVEL AT WHICH YOU TEST IS IMPORTANT
10. I_{rms} - CURRENT THAT CAUSES THE TEMPERATURE TO RISE APPROX. 40°C ABOVE AMBIENT OF 25°C



RENCO ELECTRONICS INC.

595 International Place, Rockledge, FL 32955-4200 USA • www.rencousa.com • ISO 9001 Certified
Toll Free Engineering Hot Line: 800.645.5828 • P: 321.637.1000 • F: 321.637.1600



RL-1386-2

Renco Part No. RL-1386-2	L@ 0 Amps D.C. (μ H) $\pm 25\%$	DCR Max. (Ohms)	Irms (A) Max.	0% L Drop (DC Amps)	10% L Drop (DC Amps)	20% L Drop (DC Amps)	30% L Drop (DC Amps)	40% L Drop (DC Amps)	50% L Drop (DC Amps)	Lead Dia. in. (mm)
RL-1386-2-1.2	1.2	0.005	5.0	7.70	21.70	32.70	45.00	59.10	77.70	0.039 (1.00)
RL-1386-2-2.0	2.0	0.006	5.0	8.80	15.40	24.50	33.80	44.30	58.20	0.039 (1.00)
RL-1386-2-3.3	3.3	0.007	5.0	4.70	13.10	19.60	27.00	35.50	46.60	0.039 (1.00)
RL-1386-2-4.7	4.7	0.008	5.0	3.90	10.90	16.40	22.50	29.50	39.80	0.039 (1.00)
RL-1386-2-6.8	6.8	0.009	5.0	3.30	9.30	14.00	19.30	25.30	33.30	0.039 (1.00)
RL-1386-2-8.2	8.2	0.010	5.0	2.90	8.10	12.30	16.90	22.10	29.10	0.039 (1.00)
RL-1386-2-10	10.0	0.011	5.0	2.60	7.30	10.90	15.00	20.00	25.80	0.039 (1.00)
RL-1386-2-12	12.0	0.012	5.0	2.30	6.60	9.80	13.50	17.70	23.30	0.039 (1.00)
RL-1386-2-15	15.0	0.012	5.0	2.10	5.90	8.90	12.30	16.10	21.20	0.039 (1.00)
RL-1386-2-18	18.0	0.013	5.0	1.90	5.50	8.20	11.30	14.80	18.90	0.039 (1.00)
RL-1386-2-22	22.0	0.014	5.0	1.80	5.00	7.50	10.40	13.60	17.40	0.039 (1.00)
RL-1386-2-27	27.0	0.016	5.0	1.60	4.40	6.50	9.00	11.80	15.50	0.039 (1.00)
RL-1386-2-33	33.0	0.018	5.0	1.40	3.80	5.80	7.90	10.40	13.70	0.039 (1.00)
RL-1386-2-39	39.0	0.019	5.0	1.20	3.40	5.20	7.10	9.30	12.20	0.039 (1.00)
RL-1386-2-47	47.0	0.022	5.0	1.20	3.30	4.90	6.80	8.80	11.60	0.039 (1.00)
RL-1386-2-56	56.0	0.024	5.0	1.00	2.80	4.30	5.90	7.70	10.10	0.039 (1.00)
RL-1386-2-68	68.0	0.028	5.0	0.93	2.60	3.90	5.10	7.00	9.30	0.039 (1.00)
RL-1386-2-82	82.0	0.030	5.0	0.83	2.30	3.50	4.80	6.30	8.30	0.039 (1.00)
RL-1386-2-100	100.0	0.032	5.0	0.75	2.10	3.20	4.40	5.70	7.50	0.039 (1.00)
RL-1386-2-120	120.0	0.036	5.0	0.70	1.90	3.00	4.10	5.30	7.00	0.039 (1.00)
RL-1386-2-150	150.0	0.042	5.0	0.64	1.80	2.70	3.70	4.90	6.40	0.039 (1.00)
RL-1386-2-180	180.0	0.046	5.0	0.57	1.50	2.40	3.30	4.30	5.70	0.039 (1.00)
RL-1386-2-220	220.0	0.053	5.0	0.51	1.50	2.20	3.00	3.90	5.10	0.039 (1.00)
RL-1386-2-270	270.0	0.059	5.0	0.48	1.30	2.00	2.80	3.60	4.80	0.039 (1.00)
RL-1386-2-330	330.0	0.064	5.0	0.43	1.20	1.80	2.50	3.30	4.30	0.039 (1.00)
RL-1386-2-390	390.0	0.068	5.0	0.39	1.10	1.70	2.30	3.00	3.90	0.039 (1.00)
RL-1386-2-470	470.0	0.076	5.0	0.36	1.00	1.50	2.10	2.70	3.60	0.039 (1.00)
RL-1386-2-560	560.0	0.086	5.0	0.32	0.90	1.40	1.90	2.50	3.20	0.039 (1.00)
RL-1386-2-680	680.0	0.131	4.5	0.29	0.81	1.20	1.70	2.20	2.90	0.039 (1.00)
RL-1386-2-820	820.0	0.143	4.5	0.26	0.74	1.10	1.50	2.00	2.60	0.039 (1.00)
RL-1386-2-1000	1000.0	0.161	4.5	0.24	0.67	1.00	1.40	1.80	2.40	0.039 (1.00)
RL-1386-2-1200	1200.0	0.180	3.5	0.21	0.59	0.89	1.20	1.60	2.10	0.039 (1.00)
RL-1386-2-1500	1500.0	0.340	2.0	0.19	0.52	0.78	1.10	1.40	1.90	0.039 (1.00)
RL-1386-2-1800	1800.0	0.371	2.0	0.17	0.48	0.72	0.99	1.30	1.70	0.039 (1.00)
RL-1386-2-2200	2200.0	0.432	2.0	0.15	0.43	0.65	0.90	1.20	1.60	0.035 (0.90)
RL-1386-2-2700	2700.0	0.520	2.0	0.12	0.38	0.58	0.78	1.10	1.40	0.035 (0.90)

NOTES:

1. INDUCTANCE MEASURED AT 1 kHz, 0.1 Vrms
2. ELECTRICAL SPECIFICATIONS MEASURED AT 25°C
3. SATURATION CURRENTS SHOWN ARE FOR MAXIMUM L DROP INDICATED, I.E., IF 20% DROP FOR A 100 μ H CHOKE IS AT 2 AMPS, THE L WILL BE APPROX. 80 μ H (60 μ H MIN.)
4. LEADS FOR PC MOUNTING TINNED TO WITHIN 1/16" OF BODY
5. ENCAPSULATION AVAILABLE
6. NONSTANDARD VALUES AVAILABLE ON REQUEST
7. HORIZONTAL MOUNTED UNITS ALSO AVAILABLE
8. ADDITIONAL MOUNTING IS RECOMMENDED ON LARGER UNITS AND UNITS WOUND WITH FINER WIRE
9. DRIVE LEVEL AT WHICH YOU TEST IS IMPORTANT
10. Irms - CURRENT THAT CAUSES THE TEMPERATURE TO RISE APPROX. 40°C ABOVE AMBIENT OF 25°C



RENCO ELECTRONICS INC.

595 International Place, Rockledge, FL 32955-4200 USA • www.rencousa.com • ISO 9001 Certified
Toll Free Engineering Hot Line: 800.645.5828 • P: 321.637.1000 • F: 321.637.1600



RL-1386-3

Renco Part No. RL-1386-3	L@ 0 Amps D.C. (μH) ± 25%	DCR Max. (Ohms)	Irms (A) Max.	0% L Drop (DC Amps)	10% L Drop (DC Amps)	20% L Drop (DC Amps)	30% L Drop (DC Amps)	40% L Drop (DC Amps)	50% L Drop (DC Amps)	Lead Dia. in. (mm)
RL-1386-3-1.5	1.5	0.004	9.0	8.60	23.70	39.20	54.90	73.20	96.30	0.051 (1.30)
RL-1386-3-2.2	2.2	0.004	9.0	6.40	17.70	29.40	41.10	54.90	72.20	0.051 (1.30)
RL-1386-3-3.3	3.3	0.005	9.0	5.10	14.10	23.60	32.90	43.90	57.80	0.051 (1.30)
RL-1386-3-5.6	5.6	0.005	9.0	4.20	11.80	19.60	27.50	36.60	48.20	0.051 (1.30)
RL-1386-3-6.8	6.8	0.006	9.0	3.60	10.10	16.80	23.50	31.40	41.20	0.051 (1.30)
RL-1386-3-10	10.0	0.006	9.0	2.80	7.80	13.10	18.30	24.40	32.10	0.051 (1.30)
RL-1386-3-12	12.0	0.007	9.0	2.60	7.10	11.80	16.50	22.00	28.90	0.051 (1.30)
RL-1386-3-15	15.0	0.007	9.0	2.30	6.50	9.90	14.90	19.90	26.10	0.051 (1.30)
RL-1386-3-18	18.0	0.008	9.0	2.10	5.90	9.80	13.70	18.30	24.00	0.051 (1.30)
RL-1386-3-22	22.0	0.010	9.0	1.90	5.50	9.00	12.60	16.80	22.10	0.051 (1.30)
RL-1386-3-27	27.0	0.011	9.0	1.70	4.70	7.80	11.00	14.60	19.30	0.051 (1.30)
RL-1386-3-33	33.0	0.012	9.0	1.50	4.40	7.30	10.30	13.70	18.00	0.051 (1.30)
RL-1386-3-39	39.0	0.013	9.0	1.40	3.90	6.50	9.10	12.20	16.00	0.051 (1.30)
RL-1386-3-47	47.0	0.014	9.0	1.30	3.60	5.90	8.20	11.00	14.40	0.051 (1.30)
RL-1386-3-56	56.0	0.016	9.0	1.10	3.20	5.30	7.50	9.90	13.10	0.051 (1.30)
RL-1386-3-68	68.0	0.017	9.0	0.99	3.00	4.90	6.80	9.10	12.00	0.051 (1.30)
RL-1386-3-82	82.0	0.019	9.0	0.90	2.70	4.50	6.30	8.40	11.10	0.051 (1.30)
RL-1386-3-100	100.0	0.022	9.0	0.88	2.40	4.10	5.70	7.60	9.90	0.051 (1.30)
RL-1386-3-120	120.0	0.024	9.0	0.80	2.20	3.60	5.10	6.80	9.30	0.051 (1.30)
RL-1386-3-150	150.0	0.026	9.0	0.73	2.00	3.30	4.70	6.20	8.20	0.051 (1.30)
RL-1386-3-180	180.0	0.029	9.0	0.68	1.90	3.10	4.30	5.80	7.60	0.051 (1.30)
RL-1386-3-220	220.0	0.032	9.0	0.58	1.60	2.60	3.70	5.00	6.50	0.051 (1.30)
RL-1386-3-270	270.0	0.035	9.0	0.55	1.50	2.50	3.50	4.80	6.20	0.051 (1.30)
RL-1386-3-330	330.0	0.040	9.0	0.50	1.40	2.30	3.20	4.30	5.70	0.051 (1.30)
RL-1386-3-390	390.0	0.054	7.0	0.47	1.30	2.10	3.00	4.00	5.30	0.047 (1.20)
RL-1386-3-470	470.0	0.061	7.0	0.43	1.20	2.00	2.80	3.70	4.80	0.047 (1.20)
RL-1386-3-560	560.0	0.068	7.0	0.38	1.00	1.70	2.40	3.20	4.30	0.047 (1.20)
RL-1386-3-680	680.0	0.090	5.0	0.34	0.93	1.60	2.20	2.90	3.80	0.039 (1.00)
RL-1386-3-820	820.0	0.148	3.5	0.31	0.86	1.40	2.00	2.70	3.50	0.031 (0.80)
RL-1386-3-1000	1000.0	0.172	3.5	0.27	0.75	1.20	1.70	2.30	3.00	0.031 (0.80)
RL-1386-3-1200	1200.0	0.190	3.5	0.25	0.68	1.10	1.60	2.10	2.80	0.031 (0.80)
RL-1386-3-1500	1500.0	0.210	3.5	0.22	0.61	1.00	1.40	1.90	2.50	0.031 (0.80)
RL-1386-3-1800	1800.0	0.232	3.5	0.21	0.57	0.94	1.30	1.80	2.30	0.031 (0.80)
RL-1386-3-2200	2200.0	0.412	2.0	0.18	0.49	0.81	1.10	1.50	2.00	0.025 (0.65)
RL-1386-3-2700	2700.0	0.450	2.0	0.16	0.45	0.76	1.10	1.40	1.90	0.025 (0.65)
RL-1386-3-3300	3300.0	0.500	2.0	0.15	0.41	0.69	0.96	1.30	1.70	0.025 (0.65)
RL-1386-3-3900	3900.0	0.541	2.0	0.14	0.38	0.63	0.87	1.20	1.50	0.025 (0.65)

NOTES:

1. INDUCTANCE MEASURED AT 1 kHz, 0.1 Vrms
2. ELECTRICAL SPECIFICATIONS MEASURED AT 25°C
3. SATURATION CURRENTS SHOWN ARE FOR MAXIMUM L DROP INDICATED, I.E., IF 20% DROP FOR A 100μH CHOKE IS AT 2 AMPS, THE L WILL BE APPROX. 80μH (60μH MIN.)
4. LEADS FOR PC MOUNTING TINNED TO WITHIN 1/16" OF BODY
5. ENCAPSULATION AVAILABLE
6. NONSTANDARD VALUES AVAILABLE ON REQUEST
7. HORIZONTAL MOUNTED UNITS ALSO AVAILABLE
8. ADDITIONAL MOUNTING IS RECOMMENDED ON LARGER UNITS AND UNITS WOUND WITH FINER WIRE
9. DRIVE LEVEL AT WHICH YOU TEST IS IMPORTANT
10. Irms - CURRENT THAT CAUSES THE TEMPERATURE TO RISE APPROX. 40°C ABOVE AMBIENT OF 25°C



RENCO ELECTRONICS INC.



595 International Place, Rockledge, FL 32955-4200 USA • www.rencousa.com • ISO 9001 Certified
Toll Free Engineering Hot Line: 800.645.5828 • P: 321.637.1000 • F: 321.637.1600

RL-1386-4

Renco Part No. RL-1386-4	L@ 0 Amps D.C. (μH) ± 25%	DCR Max. (Ohms)	I _{rms} (A) Max.	0% L Drop (DC Amps)	10% L Drop (DC Amps)	20% L Drop (DC Amps)	30% L Drop (DC Amps)	40% L Drop (DC Amps)	50% L Drop (DC Amps)	Lead Dia. in. (mm)
RL-1386-4-1.2	1.2	0.003	14.0	11.70	33.30	50.40	69.30	90.90	119.70	0.062 (1.60)
RL-1386-4-2.2	2.2	0.004	14.0	9.00	25.20	37.80	52.20	68.40	90.00	0.062 (1.60)
RL-1386-4-3.3	3.3	0.005	14.0	7.20	19.80	29.70	41.40	54.00	72.00	0.062 (1.60)
RL-1386-4-4.7	4.7	0.005	14.0	5.90	16.20	25.20	34.20	45.00	59.40	0.062 (1.60)
RL-1386-4-6.8	6.8	0.006	14.0	5.10	14.40	21.60	29.70	38.70	51.30	0.062 (1.60)
RL-1386-4-8.2	8.2	0.007	14.0	4.50	12.60	18.90	26.10	34.20	45.00	0.062 (1.60)
RL-1386-4-10	10.0	0.008	14.0	3.80	10.80	16.20	22.50	29.70	39.60	0.062 (1.60)
RL-1386-4-12	12.0	0.008	14.0	3.60	9.90	14.40	20.70	27.00	36.00	0.062 (1.60)
RL-1386-4-15	15.0	0.009	14.0	3.20	9.00	13.50	18.90	24.30	32.40	0.062 (1.60)
RL-1386-4-18	18.0	0.010	14.0	3.00	8.40	12.60	17.20	22.50	29.70	0.062 (1.60)
RL-1386-4-22	22.0	0.010	14.0	2.80	7.70	11.70	15.30	20.70	27.00	0.062 (1.60)
RL-1386-4-27	27.0	0.011	14.0	2.30	6.80	9.90	13.50	18.00	23.40	0.062 (1.60)
RL-1386-4-33	33.0	0.011	14.0	2.10	5.90	8.80	11.70	15.30	20.70	0.062 (1.60)
RL-1386-4-39	39.0	0.012	14.0	1.90	5.20	7.90	10.80	14.40	18.90	0.062 (1.60)
RL-1386-4-47	47.0	0.013	14.0	1.70	4.80	7.20	9.90	12.60	17.10	0.062 (1.60)
RL-1386-4-56	56.0	0.013	14.0	1.50	4.30	6.60	9.00	11.70	15.30	0.062 (1.60)
RL-1386-4-68	68.0	0.014	14.0	1.40	4.10	6.00	8.30	10.80	14.40	0.062 (1.60)
RL-1386-4-82	82.0	0.014	14.0	1.30	3.60	5.40	7.40	9.00	12.60	0.062 (1.60)
RL-1386-4-100	100.0	0.016	14.0	1.20	3.20	4.90	6.70	8.80	10.80	0.062 (1.60)
RL-1386-4-120	120.0	0.017	14.0	1.10	2.90	4.40	6.10	8.00	9.90	0.062 (1.60)
RL-1386-4-150	150.0	0.018	14.0	0.90	2.60	4.00	5.50	7.20	9.00	0.062 (1.60)
RL-1386-4-180	180.0	0.022	14.0	0.86	2.30	3.60	5.00	6.50	8.60	0.062 (1.60)
RL-1386-4-220	220.0	0.024	14.0	0.78	2.20	3.20	4.50	5.90	7.70	0.062 (1.60)
RL-1386-4-270	270.0	0.026	14.0	0.71	1.90	2.90	4.10	5.30	7.00	0.062 (1.60)
RL-1386-4-330	330.0	0.029	14.0	0.63	1.70	2.60	3.60	4.80	6.30	0.062 (1.60)
RL-1386-4-390	390.0	0.034	14.0	0.58	1.60	2.40	3.30	4.40	5.80	0.062 (1.60)
RL-1386-4-470	470.0	0.036	14.0	0.54	1.40	2.30	3.10	4.10	5.30	0.062 (1.60)
RL-1386-4-560	560.0	0.042	14.0	0.49	1.40	2.10	2.80	3.70	4.90	0.062 (1.60)
RL-1386-4-680	680.0	0.056	9.0	0.44	1.20	1.80	2.50	3.30	4.30	0.051 (1.30)
RL-1386-4-820	820.0	0.064	9.0	0.40	1.10	1.60	2.30	3.00	4.00	0.051 (1.30)
RL-1386-4-1000	1000.0	0.090	9.0	0.36	1.00	1.50	2.10	2.70	3.60	0.051 (1.30)

RL-1386-4 TABLE CONTINUES ON FOLLOWING PAGE

NOTES:

1. INDUCTANCE MEASURED AT 1 kHz, 0.1 V_{rms}
2. ELECTRICAL SPECIFICATIONS MEASURED AT 25°C
3. SATURATION CURRENTS SHOWN ARE FOR MAXIMUM L DROP INDICATED, I.E., IF 20% DROP FOR A 100μH CHOKE IS AT 2 AMPS, THE L WILL BE APPROX. 80μH (60μH MIN.)
4. LEADS FOR PC MOUNTING TINNED TO WITHIN 1/16" OF BODY
5. ENCAPSULATION AVAILABLE
6. NONSTANDARD VALUES AVAILABLE ON REQUEST
7. HORIZONTAL MOUNTED UNITS ALSO AVAILABLE
8. ADDITIONAL MOUNTING IS RECOMMENDED ON LARGER UNITS AND UNITS WOUND WITH FINER WIRE
9. DRIVE LEVEL AT WHICH YOU TEST IS IMPORTANT
10. I_{rms} - CURRENT THAT CAUSES THE TEMPERATURE TO RISE APPROX. 40°C ABOVE AMBIENT OF 25°C



RENCO ELECTRONICS INC.

595 International Place, Rockledge, FL 32955-4200 USA • www.rencousa.com • ISO 9001 Certified
Toll Free Engineering Hot Line: 800.645.5828 • P: 321.637.1000 • F: 321.637.1600



RL-1386-4, RL-1386-5

Renco Part No. RL-1386-4	L@ 0 Amps D.C. (μ H) $\pm 25\%$	DCR Max. (Ohms)	I _{rms} (A) Max.	0% L Drop (DC Amps)	10% L Drop (DC Amps)	20% L Drop (DC Amps)	30% L Drop (DC Amps)	40% L Drop (DC Amps)	50% L Drop (DC Amps)	Lead Dia. in. (mm)
RL-1386-4-1200	1200.0	0.115	7.0	0.33	0.90	1.40	1.90	2.50	3.30	0.047 (1.20)
RL-1386-4-1500	1500.0	0.123	7.0	0.29	0.81	1.20	1.60	2.20	2.70	0.047 (1.20)
RL-1386-4-1800	1800.0	0.149	7.0	0.26	0.75	1.10	1.50	2.00	2.60	0.047 (1.20)
RL-1386-4-2200	2200.0	0.164	7.0	0.24	0.68	0.99	1.40	1.80	2.30	0.047 (1.20)
RL-1386-4-2700	2700.0	0.229	5.0	0.22	0.61	0.90	1.30	1.60	2.20	0.039 (1.00)
RL-1386-4-3300	3300.0	0.252	5.0	0.20	0.56	0.84	1.10	1.40	2.00	0.039 (1.00)
RL-1386-4-3900	3900.0	0.318	4.5	0.18	0.51	0.76	0.99	1.40	1.80	0.035 (0.90)
RL-1386-4-4700	4700.0	0.336	4.5	0.16	0.46	0.68	0.90	1.20	1.60	0.035 (0.90)
RL-1386-4-5600	5600.0	0.400	4.5	0.15	0.42	0.63	0.87	1.10	1.40	0.035 (0.90)

Renco Part No. RL-1386-5	L@ 0 Amps D.C. (μ H) $\pm 25\%$	DCR Max. (Ohms)	I _{rms} (A) Max.	0% L Drop (DC Amps)	10% L Drop (DC Amps)	20% L Drop (DC Amps)	30% L Drop (DC Amps)	40% L Drop (DC Amps)	50% L Drop (DC Amps)	Lead Dia. in. (mm)
RL-1386-5-1.0	1.0	0.003	22.0	19.90	55.80	83.70	115.20	151.20	199.40	0.078 (2.00)
RL-1386-5-2.2	2.2	0.003	22.0	13.20	37.20	55.80	77.00	100.80	132.80	0.078 (2.00)
RL-1386-5-3.9	3.9	0.004	22.0	9.90	27.90	41.40	57.80	75.60	99.60	0.078 (2.00)
RL-1386-5-5.6	5.6	0.004	22.0	7.90	22.30	33.30	46.30	60.30	79.70	0.078 (2.00)
RL-1386-5-10	10.0	0.005	22.0	6.60	18.50	27.90	38.50	50.40	66.40	0.078 (2.00)
RL-1386-5-12	12.0	0.005	22.0	5.70	15.90	23.40	33.00	43.20	56.90	0.078 (2.00)
RL-1386-5-15	15.0	0.006	22.0	5.00	14.00	20.70	28.90	37.80	49.80	0.078 (2.00)
RL-1386-5-18	18.0	0.007	22.0	4.40	12.30	18.30	25.70	33.30	44.30	0.078 (2.00)
RL-1386-5-22	22.0	0.007	22.0	4.00	11.20	16.20	23.10	29.70	39.90	0.078 (2.00)
RL-1386-5-27	27.0	0.008	22.0	3.20	9.30	13.50	19.30	25.20	33.20	0.078 (2.00)
RL-1386-5-33	33.0	0.009	22.0	3.10	8.60	12.60	17.70	22.50	30.60	0.078 (2.00)
RL-1386-5-39	39.0	0.009	22.0	2.80	7.90	11.70	16.50	21.60	28.40	0.078 (2.00)
RL-1386-5-47	47.0	0.010	22.0	2.40	6.90	9.90	14.40	18.90	24.80	0.078 (2.00)
RL-1386-5-56	56.0	0.010	22.0	2.30	6.50	9.00	13.60	17.10	23.40	0.078 (2.00)
RL-1386-5-68	68.0	0.011	22.0	2.10	5.90	8.10	12.20	15.30	21.00	0.078 (2.00)

RL-1386-5 TABLE CONTINUES ON FOLLOWING PAGE

- NOTES:
1. INDUCTANCE MEASURED AT 1 kHz, 0.1 V_{rms}
 2. ELECTRICAL SPECIFICATIONS MEASURED AT 25°C
 3. SATURATION CURRENTS SHOWN ARE FOR MAXIMUM L DROP INDICATED, I.E., IF 20% DROP FOR A 100 μ H CHOKE IS AT 2 AMPS, THE L WILL BE APPROX. 80 μ H (60 μ H MIN.)
 4. LEADS FOR PC MOUNTING TINNED TO WITHIN 1/16" OF BODY
 5. ENCAPSULATION AVAILABLE
 6. NONSTANDARD VALUES AVAILABLE ON REQUEST
 7. HORIZONTAL MOUNTED UNITS ALSO AVAILABLE
 8. ADDITIONAL MOUNTING IS RECOMMENDED ON LARGER UNITS AND UNITS WOUND WITH FINER WIRE
 9. DRIVE LEVEL AT WHICH YOU TEST IS IMPORTANT
 10. I_{rms} - CURRENT THAT CAUSES THE TEMPERATURE TO RISE APPROX. 40°C ABOVE AMBIENT OF 25°C



RENCO ELECTRONICS INC.

595 International Place, Rockledge, FL 32955-4200 USA • www.rencousa.com • ISO 9001 Certified
Toll Free Engineering Hot Line: 800.645.5828 • P: 321.637.1000 • F: 321.637.1600



RL-1386-5

Renco Part No. RL-1386-5	L@ 0 Amps D.C. (μ H) $\pm 25\%$	DCR Max. (Ohms)	Irms (A) Max.	0% L Drop (DC Amps)	10% L Drop (DC Amps)	20% L Drop (DC Amps)	30% L Drop (DC Amps)	40% L Drop (DC Amps)	50% L Drop (DC Amps)	Lead Dia. in. (mm)
RL-1386-5-82	82.0	0.011	22.0	11.90	5.30	7.20	11.00	14.40	18.90	0.070 (1.80)
RL-1386-5-100	100.0	0.012	22.0	1.60	4.60	6.30	9.60	12.60	16.60	0.070 (1.80)
RL-1386-5-120	120.0	0.012	22.0	1.50	4.20	6.30	8.80	10.80	15.30	0.070 (1.80)
RL-1386-5-150	150.0	0.013	22.0	1.40	4.00	5.40	8.20	10.80	14.20	0.070 (1.80)
RL-1386-5-180	180.0	0.014	22.0	1.30	3.60	5.40	7.40	9.00	12.80	0.070 (1.80)
RL-1386-5-220	220.0	0.016	22.0	1.20	3.20	4.50	6.80	8.10	11.70	0.070 (1.80)
RL-1386-5-270	270.0	0.017	22.0	1.00	2.80	3.60	5.90	7.20	10.20	0.070 (1.80)
RL-1386-5-330	330.0	0.019	22.0	0.90	2.60	3.60	5.50	7.20	9.50	0.070 (1.80)
RL-1386-5-390	390.0	0.023	22.0	0.81	2.30	3.60	5.00	6.30	8.60	0.070 (1.80)
RL-1386-5-470	470.0	0.039	18.0	0.80	2.20	3.30	4.60	6.00	7.70	0.070 (1.80)
RL-1386-5-560	560.0	0.045	18.0	0.69	1.90	2.90	4.00	5.10	6.80	0.070 (1.80)
RL-1386-5-680	680.0	0.055	11.0	0.63	1.80	2.70	3.60	4.80	6.10	0.059 (1.50)
RL-1386-5-820	820.0	0.065	11.0	0.58	1.60	2.40	3.30	4.30	5.80	0.059 (1.50)
RL-1386-5-1000	1000.0	0.070	11.0	0.51	1.40	2.10	2.90	3.90	5.00	0.059 (1.50)
RL-1386-5-1200	1200.0	0.091	7.0	0.47	1.30	1.90	2.70	3.50	4.70	0.047 (1.20)
RL-1386-5-1500	1500.0	0.103	7.0	0.42	1.20	1.70	2.40	3.20	4.20	0.047 (1.20)
RL-1386-5-1800	1800.0	0.113	7.0	0.39	1.10	1.60	2.20	2.90	3.90	0.047 (1.20)
RL-1386-5-2200	2200.0	0.130	7.0	0.34	1.00	1.40	2.00	2.50	3.40	0.047 (1.20)
RL-1386-5-2700	2700.0	0.145	7.0	0.31	0.87	1.30	1.80	2.30	3.10	0.047 (1.20)
RL-1386-5-3300	3300.0	0.215	5.0	0.28	0.79	1.20	1.60	2.20	2.80	0.039 (1.00)
RL-1386-5-3900	3900.0	0.235	5.0	0.26	0.79	1.10	1.40	1.90	2.50	0.039 (1.00)
RL-1386-5-4700	4700.0	0.260	5.0	0.23	0.65	1.00	1.40	1.70	2.30	0.039 (1.00)
RL-1386-5-5600	5600.0	0.315	5.0	0.21	0.59	0.90	1.20	1.60	2.10	0.039 (1.00)

NOTES:

- INDUCTANCE MEASURED AT 1 kHz, 0.1 Vrms
- ELECTRICAL SPECIFICATIONS MEASURED AT 25°C
- SATURATION CURRENTS SHOWN ARE FOR MAXIMUM L DROP INDICATED, I.E., IF 20% DROP FOR A 100 μ H CHOKE IS AT 2 AMPS, THE L WILL BE APPROX. 80 μ H (60 μ H MIN.)
- LEADS FOR PC MOUNTING TINNED TO WITHIN 1/16" OF BODY
- ENCAPSULATION AVAILABLE
- NONSTANDARD VALUES AVAILABLE ON REQUEST
- HORIZONTAL MOUNTED UNITS ALSO AVAILABLE
- ADDITIONAL MOUNTING IS RECOMMENDED ON LARGER UNITS AND UNITS WOUND WITH FINER WIRE
- DRIVE LEVEL AT WHICH YOU TEST IS IMPORTANT
- Irms - CURRENT THAT CAUSES THE TEMPERATURE TO RISE APPROX. 40°C ABOVE AMBIENT OF 25°C



RENCO ELECTRONICS INC.

595 International Place, Rockledge, FL 32955-4200 USA • www.rencousa.com • ISO 9001 Certified
Toll Free Engineering Hot Line: 800.645.5828 • P: 321.637.1000 • F: 321.637.1600

