

CAUTION:
 NOT RECOMMENDED
 FOR DC APPLICATIONS
 (DC SATURATION
 CURRENTS VERY LOW)

RL-1123

SHIELDED INDUCTORS FERRITE COILFORM & SHELL

DESCRIPTION

- Shielded Inductors
- Ferrite Coilform & Shell

ENVIRONMENTAL DATA

- Storage temperature range:
 -55°C to +130°C
- Operating temperature range:
 -40°C to +130°C

PACKAGING INFORMATION

- Packaging information: pg. 493

FEATURES & APPLICATIONS

- Come in wide inductance and current ranges
- Small size makes them extremely useful in compact audio filters, tone control circuits, amplifiers and wherever high inductance coils are needed
- Typical applications include: low level power supplies, filters, switching circuits and telecommunications

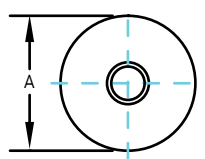
Verify operation with sample in actual circuit. Order samples at www.rencousa.com.

MECHANICAL DIMENSIONS

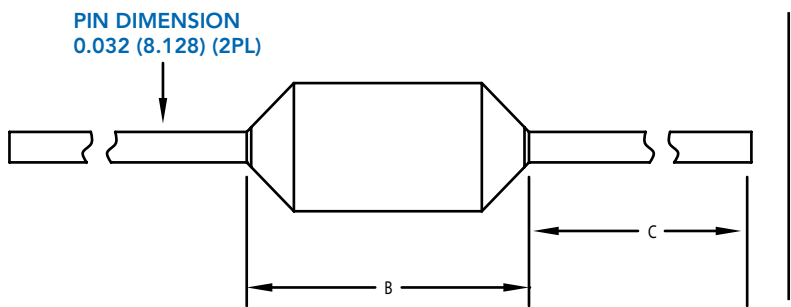
U.S. Standard (mm)

PART NUMBER	A (MAX.)	B (MAX.)	C (MIN.)	PART WEIGHT
RL-1123	0.550 (13.97)	1.00 (25.40)	1.00 (25.40)	10.0g (0.35oz)

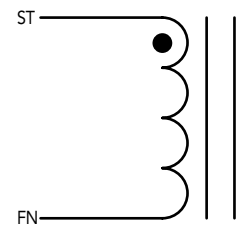
FRONT VIEW



SIDE VIEW



SCHEMATIC



RENCO ELECTRONICS INC.

595 International Place, Rockledge, FL 32955-4200 USA • www.rencousa.com • ISO 9001 Certified
 Toll Free Engineering Hot Line: 800.645.5828 • P: 321.637.1000 • F: 321.637.1600



RL-1123

Renco Part No. RL-1123	Inductance	DCR ±20% (Ohms)	I _{rms} (A)
RL-1123-.0010	1.0 µH	0.0066	1.5
RL-1123-.0012	1.2 µH	0.008	1.4
RL-1123-.0015	1.5 µH	0.008	1.4
RL-1123-.0018	1.8 µH	0.008	1.4
RL-1123-.0022	2.2 µH	0.008	1.4
RL-1123-.0027	2.7 µH	0.009	1.4
RL-1123-.0033	3.3 µH	0.009	1.4
RL-1123-.0039	3.9 µH	0.009	1.4
RL-1123-.0047	4.7 µH	0.012	1.4
RL-1123-.0056	5.6 µH	0.012	1.4
RL-1123-.0068	6.8 µH	0.012	1.4
RL-1123-.0082	8.2 µH	0.013	1.4
RL-1123-.0100	10.0 µH	0.013	1.4
RL-1123-.0120	12.0 µH	0.013	1.4
RL-1123-.0150	15.0 µH	0.014	1.4
RL-1123-.0180	18.0 µH	0.017	1.4
RL-1123-.0220	22.0 µH	0.020	1.4
RL-1123-.0270	27.0 µH	0.020	1.4
RL-1123-.0330	33.0 µH	0.022	1.4
RL-1123-.0390	39.0 µH	0.023	1.35
RL-1123-.0470	47.0 µH	0.024	1.35
RL-1123-.0560	56.0 µH	0.027	1.35
RL-1123-.0680	68.0 µH	0.028	1.35
RL-1123-.0820	82.0 µH	0.029	1.35
RL-1123-.1000	100.0 µH	0.030	1.35
RL-1123-.1200	120.0 µH	0.034	1.35
RL-1123-.1500	150.0 µH	0.036	1.35
RL-1123-.1800	180.0 µH	0.044	1.35
RL-1123-.2200	220.0 µH	0.047	1.35
RL-1123-.2700	270.0 µH	0.049	1.35
RL-1123-.3300	330.0 µH	0.052	1.30
RL-1123-.3900	390.0 µH	0.053	1.30
RL-1123-.4700	470.0 µH	0.058	1.30
RL-1123-.5600	560.0 µH	0.063	1.30
RL-1123-.6800	680.0 µH	0.068	1.30
RL-1123-.8200	820.0 µH	0.080	1.30
RL-1123-1.0	1.0 mH	0.091	1.30
RL-1123-1.2	1.2 mH	0.110	1.25
RL-1123-1.5	1.5 mH	0.116	1.25
RL-1123-1.8	1.8 mH	0.130	1.25

Renco Part No. RL-1123	Inductance	DCR ±20% (Ohms)	I _{rms} (A)
RL-1123-2.2	2.2 mH	0.177	1.120
RL-1123-2.7	2.7 mH	0.190	1.120
RL-1123-3.3	3.3 mH	0.295	1.120
RL-1123-3.9	3.9 mH	0.287	0.880
RL-1123-4.7	4.7 mH	0.364	0.880
RL-1123-5.6	5.6 mH	0.440	0.707
RL-1123-6.8	6.8 mH	0.662	0.556
RL-1123-8.2	8.2 mH	0.700	0.556
RL-1123-10	10.0 mH	0.741	0.556
RL-1123-12	12.0 mH	0.827	0.556
RL-1123-15	15.0 mH	1.100	0.437
RL-1123-18	18.0 mH	1.250	0.437
RL-1123-22	22.0 mH	1.670	0.350
RL-1123-27	27.0 mH	1.920	0.227
RL-1123-33	33.0 mH	2.760	0.224
RL-1123-39	39.0 mH	3.480	0.224
RL-1123-47	47.0 mH	4.320	0.224
RL-1123-56	56.0 mH	4.440	0.224
RL-1123-68	68.0 mH	4.800	0.224
RL-1123-82	82.0 mH	7.200	0.175
RL-1123-100	100.0 mH	9.500	0.175
RL-1123-120	120.0 mH	10.560	0.139
RL-1123-150	150.0 mH	12.240	0.139
RL-1123-180	180.0 mH	13.680	0.139
RL-1123-220	220.0 mH	24.000	0.110
RL-1123-270	270.0 mH	27.000	0.088
RL-1123-330	330.0 mH	32.000	0.080
RL-1123-390	390.0 mH	37.080	0.071
RL-1123-470	470.0 mH	39.480	0.071
RL-1123-560	560.0 mH	46.680	0.071
RL-1123-680	680.0 mH	56.800	0.071
RL-1123-820	820.0 mH	67.300	0.056
RL-1123-1000	1.0 H	85.000	0.056
RL-1123-1200	1.2 H	101.000	0.043
RL-1123-1500	1.5 H	160.000	0.034

RL-1123 TABLE CONTINUES ON FOLLOWING PAGE

NOTES:

1. INDUCTANCE VALUES SHOWN IN µH = MICROHENRYS
mH = MILLIHENRYS AND H = HENRYS
2. ±20% TOLERANCE STANDARD
3. ±10% TOLERANCE OPTIONAL
4. INDUCTANCE TESTED AT 1.0 kHz, 0.1 V_{rms}
5. I_{rms} - CURRENT THAT CAUSES THE TEMPERATURE TO RISE APPROX. 40°C ABOVE AMBIENT OF 25°C
6. ELECTRICAL SPECIFICATIONS MEASURED AT 25°C
7. ENDS EPOXY SEALED
8. PART FINISHED WITH 135°C POLYOLEFIN SLEEVING THAT MEETS UL-224 VW-1



RENCO ELECTRONICS INC.

595 International Place, Rockledge, FL 32955-4200 USA • www.rencousa.com • ISO 9001 Certified
Toll Free Engineering Hot Line: 800.645.5828 • P: 321.637.1000 • F: 321.637.1600



RL-1123

Renco Part No. RL-1123	Inductance	DCR ±20% (Ohms)	I _{rms} (A)
RL-1123-1800	1.8 H	180.0	0.0340
RL-1123-2200	2.2 H	208.0	0.0270
RL-1123-2700	2.7 H	222.0	0.0270
RL-1123-3300	3.3 H	259.0	0.0270
RL-1123-3900	3.9 H	314.0	0.0270
RL-1123-4700	4.7 H	382.0	0.0270
RL-1123-5600	5.6 H	472.0	0.0220
RL-1123-6800	6.8 H	510.0	0.0220
RL-1123-8200	8.2 H	714.0	0.0170
RL-1123-10000	10.0 H	829.0	0.0140
RL-1123-12000	12.0 H	1060.0	0.0140
RL-1123-15000	15.0 H	1200.0	0.0140
RL-1123-18000	18.0 H	1730.0	0.0110
RL-1123-22000	22.0 H	2290.0	0.0086
RL-1123-27000	27.0 H	2380.0	0.0080
RL-1123-33000	33.0 H	3860.0	0.0069
RL-1123-39000	39.0 H	4360.0	0.0069
RL-1123-47000	47.0 H	5170.0	0.0054

NOTES:

1. INDUCTANCE VALUES SHOWN IN μH = MICROHENRYS
mH = MILLIHENRYS AND H = HENRYS
2. $\pm 20\%$ TOLERANCE STANDARD
3. $\pm 10\%$ TOLERANCE OPTIONAL
4. INDUCTANCE TESTED AT 1.0 kHz, 0.1 V_{rms}
5. I_{rms} - CURRENT THAT CAUSES THE TEMPERATURE TO RISE APPROX. 40°C ABOVE AMBIENT OF 25°C
6. ELECTRICAL SPECIFICATIONS MEASURED AT 25°C
7. ENDS EPOXY SEALED
8. PART FINISHED WITH 135°C POLYOLEFIN SLEEVING THAT MEETS UL-224 VW-1



RENCO ELECTRONICS INC.

595 International Place, Rockledge, FL 32955-4200 USA • www.rencousa.com • ISO 9001 Certified
Toll Free Engineering Hot Line: 800.645.5828 • P: 321.637.1000 • F: 321.637.1600

