

# RL-9750-1

## THRU-HOLE AC LINE FILTER

### DESCRIPTION

- Thru-Hole AC Line Filter

### ENVIRONMENTAL DATA

- Storage temperature range: -55°C to +130°C
- Operating temperature range: -40°C to +130°C

### PACKAGING INFORMATION

- Packaging information: pg. 495

### FEATURES & APPLICATIONS

- Used in low to medium power AC-DC power supplies
- Designed for line to neutral safety clearance
- High impedance at applicable frequency
- High self-resonant frequency
- Dielectric withstanding voltage rated at 2500 VAC line to line
- Signal line filtering

Verify operation with sample in actual circuit. Order samples at [www.rencousa.com](http://www.rencousa.com).

### MECHANICAL DIMENSIONS

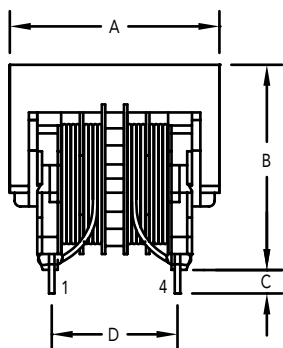
U.S. Standard (mm)

PART NUMBER	A (MAX.)	B (MAX.)	C (TYP.)	D ±0.02 (0.50)	E (MAX.)	F ±0.02 (0.50)
RL-9750-1	0.91 (23.20)	0.89 (22.50)	0.20 (5.00)	0.51 (13.00)	0.61 (15.50)	0.39 (10.00)

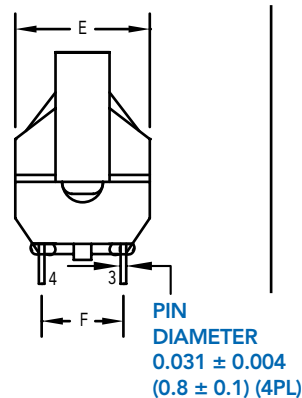
PART NUMBER	PART WEIGHT
RL-9750-1	10.0g (0.35oz)

G ±0.002 (0.05)	H ±0.002 (0.05)
0.51 (13.00)	0.39 (10.00)

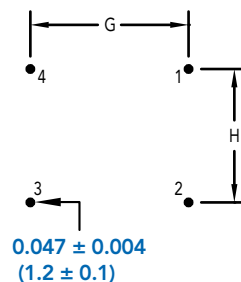
FRONT VIEW



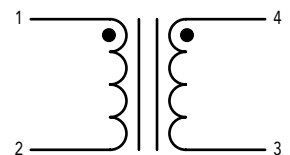
SIDE VIEW



RECOMMENDED LAND PATTERN



SCHEMATIC



**RENCO ELECTRONICS INC.**

595 International Place, Rockledge, FL 32955-4200 USA • [www.rencousa.com](http://www.rencousa.com) • ISO 9001 Certified  
Toll Free Engineering Hot Line: 800.645.5828 • P: 321.637.1000 • F: 321.637.1600



# RL-9750-1

Renco Part No. RL-9750-1	Inductance (mH) Min.	DCR (Ohms) ± 20%	Irms (A) Max.
RL-9750-1-0.6	0.6	0.052	3.0
RL-9750-1-1.0	1.0	0.078	2.2
RL-9750-1-1.7	1.7	0.126	1.7
RL-9750-1-2.1	2.1	0.170	1.5
RL-9750-1-2.7	2.7	0.202	1.3
RL-9750-1-4.0	4.0	0.308	1.1
RL-9750-1-5.3	5.3	0.369	1.0
RL-9750-1-6.8	6.8	0.548	0.8
RL-9750-1-10.0	10.0	0.762	0.7
RL-9750-1-12.0	12.0	0.933	0.6
RL-9750-1-19.0	19.0	1.324	0.5
RL-9750-1-26.0	26.0	1.966	0.4
RL-9750-1-43.0	43.0	3.154	0.3
RL-9750-1-104.0	104.0	7.543	0.2

#### NOTES:

1. ELECTRICAL SPECIFICATIONS MEASURED AT 25°C
2. Irms - CURRENT THAT CAUSES THE TEMPERATURE TO RISE APPROX. 40°C ABOVE AMBIENT OF 25°C
3. INDUCTANCE TESTED AT 10 kHz, 0.1 Vrms

