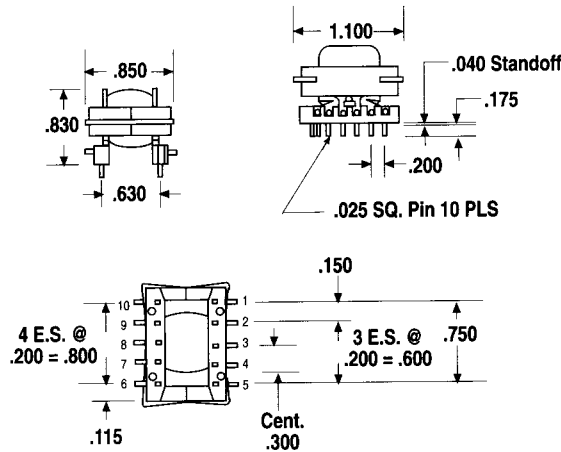
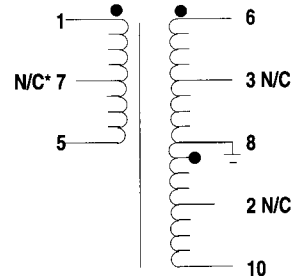


# DESIGNED FOR NATIONAL SEMICONDUCTOR SIMPLE SWITCHER™

## RL-2580



Vin = 5V  
52 kHz



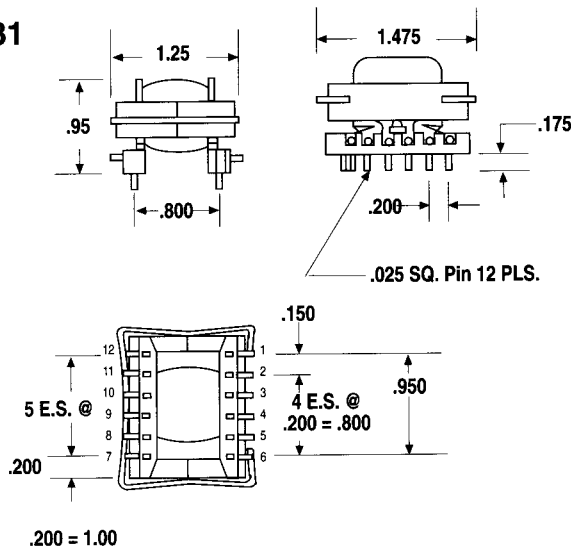
- 10V to 15V at .53 A RMS

+ 10V to 15V at .53 A RMS

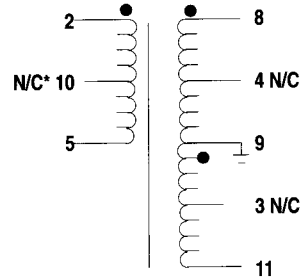
### Test Readings

Tested at 1 kHz, OA DC  
L (Pins 1 - 5) = 100µH ± 10%  
DCR (1 - 5) = .062 Ω Max

## RL-2581



Vin = 15V  
52 kHz



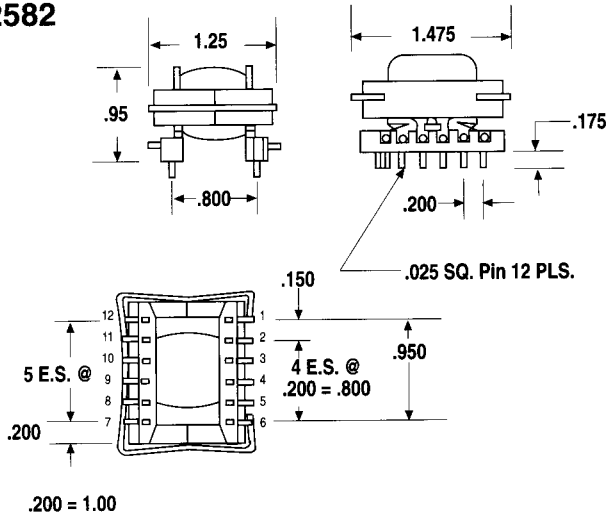
- 10V to 15V at 1.2 A RMS

+ 10V to 15V at 1.2 A RMS

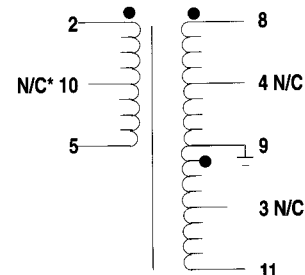
### Test Readings

Tested at 1 kHz, OA DC  
L (2 - 5) = 250µH ± 10%  
RDC (2 - 5) = .063 Ω Max

## RL-2582



Vin = 15V  
52 kHz



- 10V to 15V at 1.3 A RMS

+ 10V to 15V at 1.3 A RMS

### Test Readings

Tested at 1 kHz, OA DC  
L (2 - 5) = 250µH ± 10%  
RDC (2 - 5) = .072 Ω Max

\* No Connection (internal connection not for customer use)