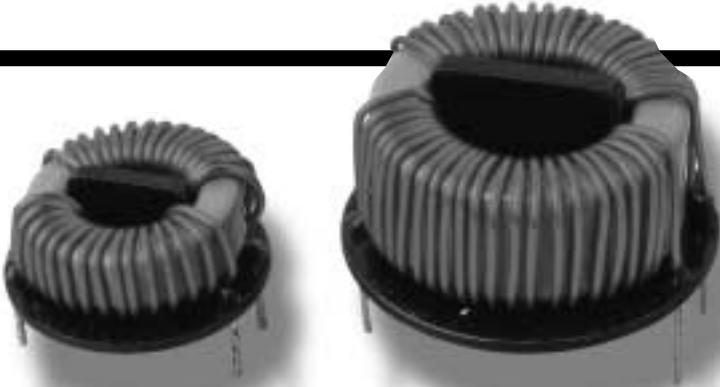


RL-6010

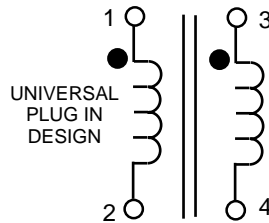
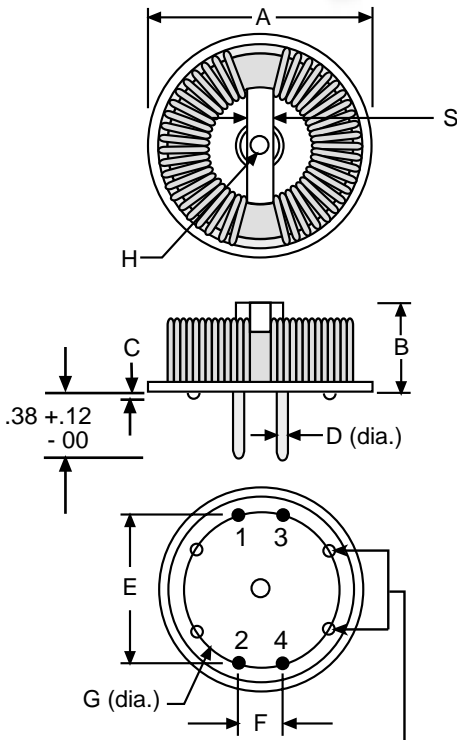
"LO-PRO"TM COMMON MODE TOROIDS HORIZONTAL MOUNT



"LO-PRO"TM (low profile) series common mode toroids meets critical filtering requirements where installation profiles are at a premium.

56 Values, 4 Sizes, Rated Currents 1 Amp to 15 Amps.

UL94-VO materials used. Toroids meet IEC, VDE and CSA specifications.



Typical Applications:

- Power Line Filters
- Suppress EMI in Switch Mode Supplies
- Linear Power Supply Filters

PART NO.	A MAX.	B MAX.	C TYP.	D (dia)	E	F TYP.	G DIA.	S TYP.	H DIA.±.005
RL-6010	1.010	0.628	.032	S E T A B L E	0.822	0.300	0.87	.120	N/A
RL-6011	1.224	0.587	.032		1.070	0.330	1.10	.120	N/A
RL-6012	1.710	0.872	.032		1.414	0.500	1.50	.120	.170
RL-6013	2.320	1.072	.032		2.060	0.500	2.12	.120	.170

Standoffs
.062 X .032 - 4 Places

ALL DIMENSIONS IN INCHES



RESCO ELECTRONICS, INC.

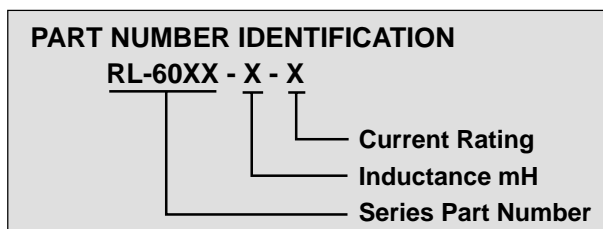
595 International Place, Rockledge, FL 32955-4200 USA

(321) 637-1000 • Toll Free Engineering Hot line 800-645-5828

Fax: (321) 637-1600 Web Site: www.rencousa.com E-mail: sales@rencousa.com

RL-6010 SERIES RENCO PART NO.	RATED CURRENT A MPS (DCRMS)	INDUCTANCE 10 KHz (mH) -0+60%	MAX. DCR (OHMS) @ +20°C	LEAKAGE INDUCTANCE (μH) TYP.	INTER WDG. CAP (PF) TYP.	"D" dia. (IN) NOM
RL-6010-2.7-1	1.0	2.7	.07	19	12.2	.020
RL-6010-4.7-1	1.0	4.7	.10	35	15.8	.020
RL-6010-10-1	1.0	10.1	.12	62	19.2	.020
RL-6010-1.0-2	2.0	1.0	.026	7.5	8.3	.025
RL-6010-3.9-2	2.0	3.9	.050	27	9.5	.025
RL-6010-6.8-2	2.0	6.8	.068	44	14.6	.025
RL-6010-0.68-6	6.0	0.68	.014	4.7	8.2	.032
RL-6010-1.5-6	6.0	1.5	.020	9.0	11.2	.032
RL-6010-2.2-6	6.0	2.2	.027	12	13.1	.032
RL-6010-0.47-9	9.0	0.47	.0065	2.5	6.7	.040
RL-6010-0.68-9	9.0	0.68	.0088	5.0	8.5	.040
RL-6010-1.0-9	9.0	1.0	.0110	5.4	10.1	.040

RL-6011 SERIES RENCO PART NO.	RATED CURRENT AMPS (DCRMS)	INDUCTANCE 10 KHz (mH) -0+60%	MAX. DCR (OHMS) @ +20°C	LEAKAGE INDUCTANCE (μH) TYP.	INTER WDG. CAP (PF) TYP.	"D" dia. (IN) NOM
RL-6011-4.7-2	2.0	4.7	.084	56	22.0	.025
RL-6011-8.2-2	2.0	8.2	.09	59	19.8	.025
RL-6011-15-2	2.0	15.0	.11	98	26.2	.025
RL-6011-1.2-4	4.0	1.2	.036	17	15.0	.029
RL-6011-2.2-4	4.0	2.2	.040	18	14.8	.029
RL-6011-3.9-4	4.0	3.9	.054	22	20.4	.029
RL-6011-1.0-6	6.0	1.0	.026	13	15.8	.032
RL-6011-1.8-6	6.0	1.8	.027	14	14.0	.032
RL-6011-2.7-6	6.0	2.7	.033	21	18.8	.032
RL-6011-0.68-9	9.0	0.68	.013	9.4	13.4	.040
RL-6011-1.0-9	9.0	1.0	.014	8.7	12.8	.040
RL-6011-1.8-9	9.0	1.8	.016	17.4	24	.040
RL-6011-0.47-12	12.0	0.47	.0095	7.1	11.6	.045
RL-6011-0.82-12	12.0	0.82	.010	6.6	12.4	.045
RL-6011-1.5-12	12.0	1.5	.0118	10	16.6	.045
RL-6011-0.33-15	15.0	0.33	.0060	4.2	10.0	.051
RL-6011-0.56-15	15.0	0.56	.0067	4.8	13.4	.051
RL-6011-1.0-15	15.0	1.0	.0084	7.9	11.8	.051



RL-6012 SERIES RENCO PART NO.	RATED CURRENT AMPS (DCRMS)	INDUCTANCE 10 KHz (mH) -0+60%	MAX. DCR (OHMS) @ +20°C	LEAKAGE INDUCTANCE (μH) TYP.	INTER WDG. CAP (PF) TYP.	"D" dia. (IN) NOM
RL-6012-18.0-2	2.0	18.0	.19	209	51.8	.025
RL-6012-27.0-2	2.0	27.0	.25	375	47.8	.025
RL-6012-56.0-2	2.0	56.0	.34	604	51.5	.025
RL-6012-8.2-4	4.0	8.2	.10	96	43.6	.029
RL-6012-15.0-4	4.0	15.0	.14	179	37.8	.029
RL-6012-6.8-6	6.0	6.8	.08	7	39.8	.032
RL-6012-12.0-6	6.0	12.0	.10	138	39.0	.032
RL-6012-3.9-9	9.0	3.9	.034	43	36.0	.040
RL-6012-6.8-9	9.0	6.8	.050	93	31.0	.040
RL-6012-2.7-12	12.0	2.7	.034	34	33.0	.045
RL-6012-5.6-12	12.0	5.6	.037	68	29.5	.045
RL-6012-2.2-15	15.0	2.2	.019	28	31.9	.051
RL-6012-4.7-15	15.0	4.7	.028	58	24.3	.051

RL-6013 SERIES RENCO PART NO.	RATED CURRENT AMPS (DCRMS)	INDUCTANCE 10 KHz (mH) -0+60%	MAX. DCR (OHMS) @ +20°C	LEAKAGE INDUCTANCE (μH) TYP.	INTER WDG. CAP (PF) TYP.	"D" dia. (IN) NOM
RL-6013-39-2	2.0	39.0	.32	552	92	.025
RL-6013-62-2	2.0	62.0	.39	440	73	.025
RL-6013-120-2	2.0	120.0	.49	925	74	.025
RL-6013-18-4	4.0	18.0	.17	252	97.2	.029
RL-6013-33-4	4.0	33.0	.23	486	106	.029
RL-6013-15-6	6.0	15.0	.12	193	88	.032
RL-6013-27-6	6.0	27.0	.16	127	88	.032
RL-6013-10-9	9.0	10.0	.065	246	91	.040
RL-6013-18-9	9.0	18.0	.086	97	81	.040
RL-6013-6.8-12	12.0	6.8	.046	182	80	.045
RL-6013-12-12	12.0	12.0	.062	79	73	.045
RL-6013-5.6-15	15.0	5.6	.036	78	72.8	.051
RL-6013-10-15	15.0	10.0	.043	145	72	.051



RENCO ELECTRONICS, INC.

595 International Place, Rockledge, FL 32955-4200 USA

(321) 637-1000 • Toll Free Engineering Hot line 800-645-5828

Fax: (321) 637-1600 Web Site: www.rencousa.com E-mail: sales@rencousa.com