

**HIGH VOLTAGE**  
**3,000 VOLTS**

# RL-5900

## HIGH VOLTAGE POWER LINE INDUCTOR



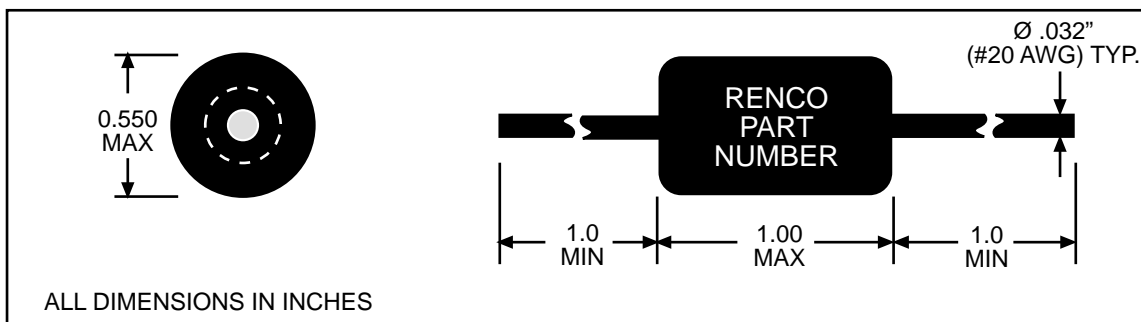
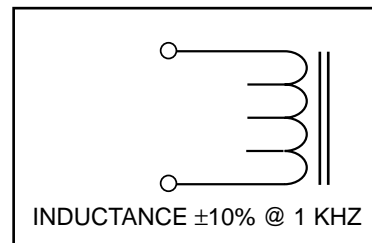
The RL-5900 series of inductors has 49 standard values to choose from. Inductance range from 10 $\mu$ H to 100 mH with saturation currents available from .095 Amps to 9.6 Amps. The use of high resistivity ferrite core material makes these coils ideal for high voltage applications up to 3,000 volts.

### Special Features:

- Distinctive Yellow Slewing
- Encapsulated Ends
- Highly Reliable Design

### Typical Applications:

- Surge Suppression
- Power Amplifiers
- Power Supplies
- SCR and Triac Controls
- Smoothing Choke
- Line Filter



## RENCO ELECTRONICS, INC.

595 International Place, Rockledge, FL 32955-4200 USA

(321) 637-1000 • Toll Free Engineering Hot line 800-645-5828

Fax: (321) 637-1600 Web Site: [www.rencousa.com](http://www.rencousa.com) E-mail: [sales@rencousa.com](mailto:sales@rencousa.com)

<b>RL-5900</b>				
Renco Part No.	Inductance @ 1KHz ODC (μH)	Max. DCR (Ohms) @ +20°C	Saturation Current (DC Amps)	Suggested Rated Current (Amps)
RL-5900-10	10	.014	9.60	4.70
RL-5900-12	12	.016	8.60	4.70
RL-5900-15	15	.017	7.70	4.70
RL-5900-18	18	.020	7.20	4.70
RL-5900-22	22	.022	6.40	4.70
RL-5900-27	27	.024	5.80	4.70
RL-5900-33	33	.027	5.30	4.70
RL-5900-39	39	.029	5.20	4.70
RL-5900-47	47	.032	4.40	4.70
RL-5900-56	56	.046	4.10	3.80
RL-5900-68	68	.055	3.80	3.80
RL-5900-82	82	.072	3.40	3.00
RL-5900-100	100	.085	3.00	2.30
RL-5900-120	120	.100	2.80	2.30
RL-5900-150	150	.110	2.50	2.30
RL-5900-180	180	.130	2.30	2.30
RL-5900-220	220	.170	2.10	2.00
RL-5900-270	270	.225	1.90	1.40
RL-5900-330	330	.240	1.70	1.40
RL-5900-390	390	.285	1.40	1.40
RL-5900-470	470	.375	1.20	1.20
RL-5900-560	560	.480	1.50	0.900
RL-5900-680	680	.057	1.10	0.900
RL-5900-820	820	.640	1.00	0.900
RL-5900-1000	1000	.840	.910	0.750
RL-5900-1200	1200	1.00	.840	0.750
RL-5900-1500	1500	1.17	.760	0.750
RL-5900-1800	1800	1.45	.730	0.590
RL-5900-2200	2200	1.70	.680	0.590
RL-5900-2700	2700	2.30	.560	0.450
RL-5900-3300	3300	3.15	.530	0.350
RL-5900-3900	3900	3.60	.510	0.350
RL-5900-4700	4700	4.10	.470	0.350
RL-5900-5600	5600	5.00	.440	0.270
RL-5900-6800	6800	5.70	.410	0.270
RL-5900-8200	8200	7.75	.370	0.200
RL-5900-10000	10000	8.80	.340	0.200
RL-5900-12000	12000	10.30	.320	0.200
RL-5900-15000	15000	13.45	.250	0.160
RL-5900-18000	18000	15.10	.230	0.160
RL-5900-22000	22000	20.00	.210	0.120
RL-5900-27000	27000	26.50	.185	0.095
RL-5900-33000	33000	30.00	.175	0.095
RL-5900-39000	39000	44.00	.160	0.070
RL-5900-47000	47000	48.00	.148	0.070
RL-5900-56000	56000	53.00	.135	0.070
RL-5900-68000	68000	60.00	.125	0.070
RL-5900-82000	82000	67.00	.110	0.070
RL-5900-100,000	100,000	90.00	.095	0.060

**NOTES:**

1. Inductance  $\pm 10\%$  measured at 1 KHz
2. Saturation current lowers inductance 5%
3. Coil finished with polyolefin sleeving
4. Available taped and reeled for auto insertion
5. Max temperature range -55°C to +130°C
6. Nonstandard values available
7. Optional 5% tolerance
8. Class B 130° C rated



**SINCE 1955**

## **RENCO ELECTRONICS, INC.**

✉ 595 International Place, Rockledge, FL 32955-4200 USA

☎ (321) 637-1000 • Toll Free Engineering Hot line 800-645-5828

📠 Fax: (321) 637-1600 🌐 Web Site: [www.rencousa.com](http://www.rencousa.com) ✉ E-mail: [sales@rencousa.com](mailto:sales@rencousa.com)