

RL-4901

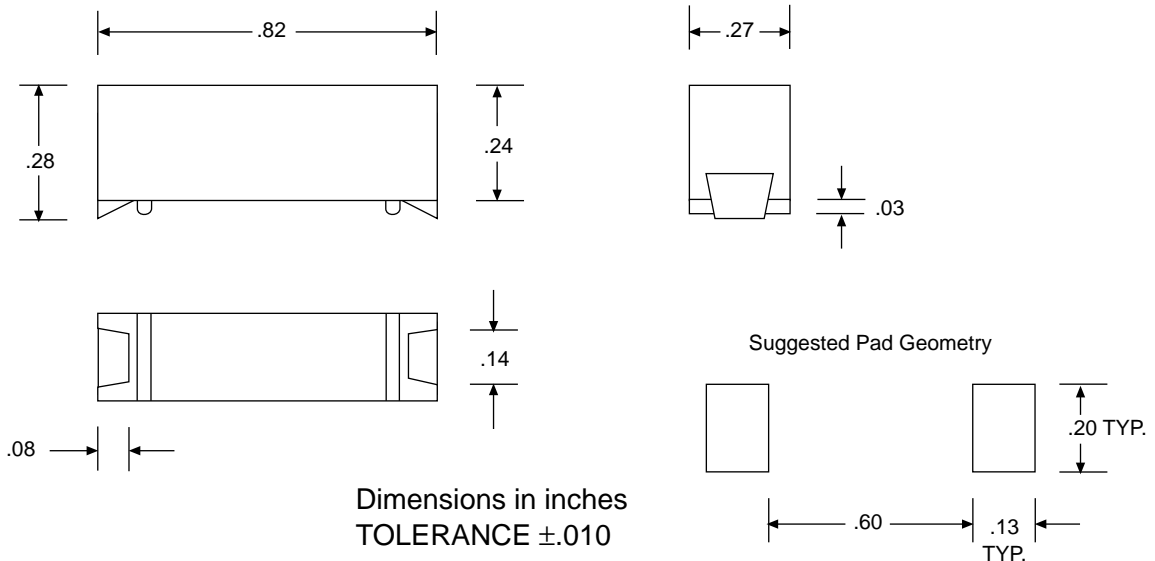
SMT POWER INDUCTOR



SMT POWER INDUCTOR FOR NATIONAL SEMICONDUCTOR APPLICATIONS

The RL-3901, a 330 μ H inductor, is one of our most popular products. However, with today's technology going surface mount and the RL-3901 being a through hole part, Renco now offers a surface mount version, the RL-4901. The RL-4901 is not limited to this one application. It can be used anywhere a surface mount 330 μ H inductor is required.

ELECTRICAL SPECIFICATIONS				
Renco Part #	Inductance @ 1 KHZ $\pm 10\%$ (μ H)	Max DCR (Ohms)	Saturation Current (DC Amps)	Rated Current (Amps)
RL-4901	330	.67	.70	.40



RENCO ELECTRONICS, INC.

595 International Place, Rockledge, FL 32955-4200 USA

(321) 637-1000 • Toll Free Engineering Hot line 800-645-5828

Fax: (321) 637-1600 Web Site: www.rencousa.com E-mail: sales@rencousa.com