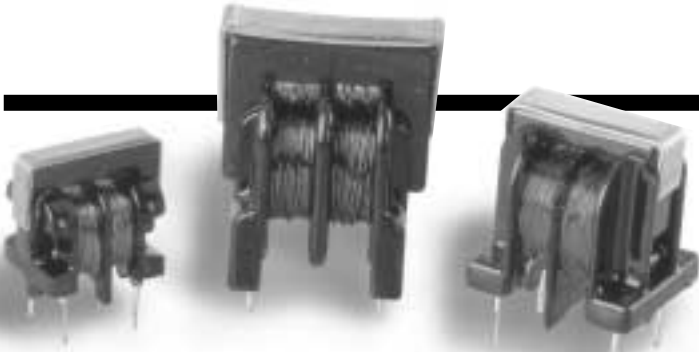


RL-4400

COMMON MODE CHOKES

MINI U-CORE DESIGN

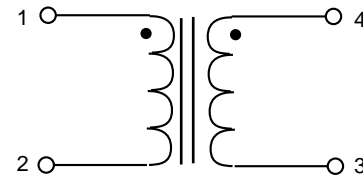
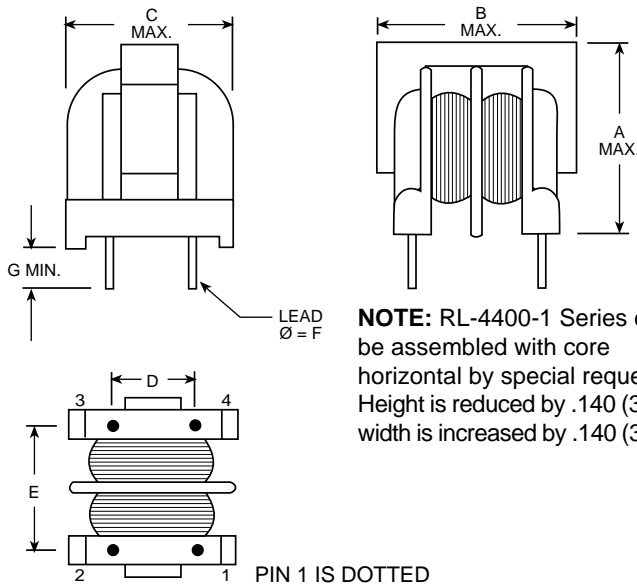


The RL-4400 Series of Common Mode Chokes are designed to maximize performance in the smallest possible package. High inductance and high current capabilities are achieved by selection of premium materials.

There are three sizes available with inductance values ranging from 390 μ H to 200mH and current ratings ranging from 210mA to 4 Amps.

SPECIFICATIONS:

Rated Voltage: 250V, DC to 400Hz.
 Dielectric Withstanding Voltage: 2000VAC line to line. 750 VAC Wind to Core
 Temperature Rise: 50°C max.
 Maximum Operating Temperature Range: -55°C to +105°C.



ALL DIMENSIONS: INCHES (MM)

| PART NO. | A | B | C | D | E | F | G |
|-----------|-----------------|----------------|----------------|----------------|----------------|--------------|---------------|
| RL-4400-1 | .650 (16.5) | .625 (15.9) | .450 (11.5) | .276 (7.0) | .315 (8.0) | .023 (.6) | .125 (3.2) |
| RL-4400-2 | .850 (21.6) | .750 (19.1) | .650 (16.5) | .394 (10.0) | .492 (12.5) | .028 (.7) | .125 (3.2) |
| RL-4400-3 | 1.050 (26.7) | .880 (22.4) | .750 (19.1) | .394 (10.0) | .492 (12.5) | .028 (.7) | .125 (3.2) |



RESCO ELECTRONICS, INC.

595 International Place, Rockledge, FL 32955-4200 USA

(321) 637-1000 • Toll Free Engineering Hot line 800-645-5828

Fax: (321) 637-1600 Web Site: www.rencousa.com E-mail: sales@rencousa.com

| Renco Part No. | Inductance* mH Min. | Current Amps Max. | DCR Ω Max. |
|----------------|------------------------|----------------------|----------------------|
| RL-4400-1-0.39 | .39 | 1.60 | .08 |
| RL-4400-1-0.68 | .68 | 1.20 | .13 |
| RL-4400-1-0.90 | .90 | 1.00 | .19 |
| RL-4400-1-1.40 | 1.40 | .80 | .30 |
| RL-4400-1-2.10 | 2.10 | .65 | .48 |
| RL-4400-1-3.30 | 3.30 | .50 | .74 |
| RL-4400-1-4.90 | 4.90 | .40 | 1.20 |
| RL-4400-1-7.40 | 7.40 | .35 | 1.80 |
| RL-4400-1-11.5 | 11.50 | .27 | 2.80 |
| RL-4400-1-18.7 | 18.70 | .22 | 4.45 |

| Renco Part No. | Inductance* mH Min. | Current Amps Max. | DCR Ω Max. |
|----------------|------------------------|----------------------|----------------------|
| RL-4400-2-0.90 | 0.90 | 2.60 | .08 |
| RL-4400-2-1.80 | 1.80 | 2.00 | .13 |
| RL-4400-2-2.50 | 2.50 | 1.60 | .19 |
| RL-4400-2-4.00 | 4.00 | 1.30 | .30 |
| RL-4400-2-6.20 | 6.20 | 1.00 | .46 |
| RL-4400-2-10.8 | 10.80 | .80 | .76 |
| RL-4400-2-16.3 | 16.30 | .65 | 1.17 |
| RL-4400-2-26.0 | 26.00 | .50 | 1.80 |
| RL-4400-2-38.3 | 38.30 | .42 | 2.73 |
| RL-4400-2-57.6 | 57.60 | .34 | 4.44 |
| RL-4400-2-90.0 | 90.0 | .27 | 6.72 |
| RL-4400-2-147 | 147.0 | .21 | 10.80 |

| Renco Part No. | Inductance* mH Min. | Current Amps Max. | DCR Ω Max. |
|----------------|------------------------|----------------------|----------------------|
| RL-4400-3-0.69 | 0.69 | 4.00 | .05 |
| RL-4400-3-1.10 | 1.10 | 3.20 | .07 |
| RL-4400-3-1.60 | 1.60 | 2.55 | .11 |
| RL-4400-3-2.50 | 2.50 | 2.00 | .16 |
| RL-4400-3-4.10 | 4.10 | 1.60 | .26 |
| RL-4400-3-6.45 | 6.45 | 1.30 | .40 |
| RL-4400-3-9.80 | 9.80 | 1.00 | .62 |
| RL-4400-3-14.8 | 14.80 | .80 | .95 |
| RL-4400-3-22.7 | 22.70 | .65 | 1.48 |
| RL-4400-3-35.4 | 35.40 | .52 | 2.22 |
| RL-4400-3-52.7 | 52.7 | .42 | 3.50 |
| RL-4400-3-79.0 | 79.0 | .34 | 5.20 |
| RL-4400-3-122 | 122.0 | .27 | 8.30 |
| RL-4400-3-200 | 200.0 | .21 | 13.80 |

* INDUCTANCE MEASURED AT 1 KHz



RENCO ELECTRONICS, INC.

✉ 595 International Place, Rockledge, FL 32955-4200 USA

☎ (321) 637-1000 • Toll Free Engineering Hot line 800-645-5828

📠 Fax: (321) 637-1600 🌐 Web Site: www.rencousa.com ✉ E-mail: sales@rencousa.com