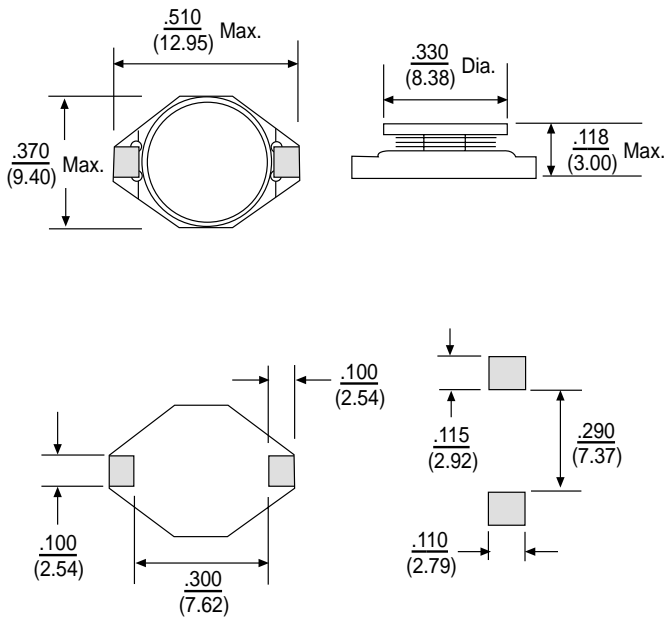


RL-3308

SMT POWER INDUCTORS



The RL-3308 Series is our extremely low profile series of surface mount power inductor with a height of only .118". They have a footprint of .370" x .510" and are specifically designed for today's high tech surface mount processes. Available in 13 values with inductance ratings from 10 μ H to 1.0mH and currents up to 2 Amps.

PART NUMBER	Inductance ¹ (μ H \pm 20%)	DCR max. (Ohms)	DC SAT ² (Amps)	Rated Current ³ (Amps)
RL-3308-10	10	.11	2.4	2.0
RL-3308-15	15	.15	2.0	1.5
RL-3308-22	22	.23	1.6	1.3
RL-3308-33	33	.30	1.4	1.1
RL-3308-47	47	.39	1.0	.8
RL-3308-68	68	.66	.9	.7
RL-3308-100	100	.84	.7	.6
RL-3308-150	150	1.2	.6	.5
RL-3308-220	220	1.9	.5	.4
RL-3308-330	330	2.7	.4	.3
RL-3308-470	470	4.0	.3	.2
RL-3308-680	680	5.3	.2	.1
RL-3308-1000	1000	8.4	.1	.05

Packaged 1,500 parts per reel.

ALL DIMENSIONS IN INCHES

1. Tested at 100 kHz, 0.1 Vrms.

2. Inductance drop = 10% typ.

3. Δ T = 30°C rise typ.

Operating temperature range -40°C to +85°C.



RENCO ELECTRONICS, INC.

595 International Place, Rockledge, FL 32955-4200 USA

(321) 637-1000 • Toll Free Engineering Hot line 800-645-5828

SINCE 1955

Fax: (321) 637-1600 Web Site: www.rencousa.com E-mail: sales@rencousa.com