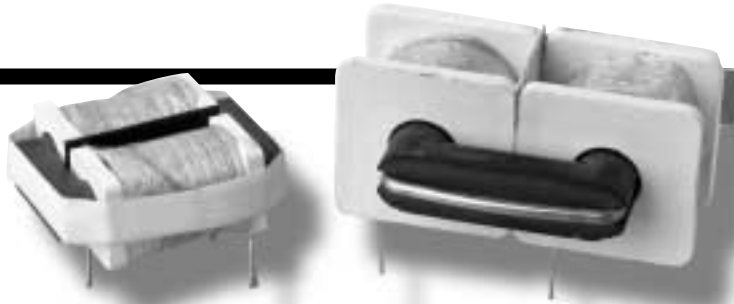


# RL-1328

## RL-1329

### COMMON MODE CHOKES

U-CORE DESIGN



#### Special Features:

- Designed to meet UL, CSA, VDE
- Low Profile
- Varnish Impregnated
- MTL Used Class B 130°C
- Nonlisted Values Available
- MIL Spec. and Encapsulation Available

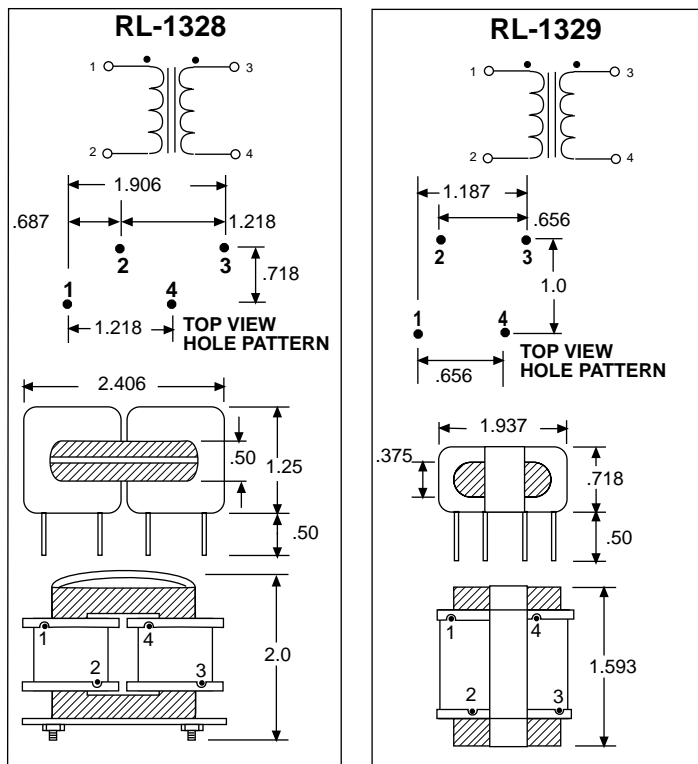
Renco Common Mode Chokes are designed to help meet U.S. and international requirements for safety and EMI. By placing these chokes at the inputs of electrical equipment or circuits EMI feedback can be kept within specified limits. These low priced Common Mode Chokes are available in a wide range of standard inductances and with current ratings up to 35 Amps. All leads are pretinned to enable ease of soldering in PC mounting applications.

#### Application:

Under normal operating conditions, power supplied through the Common Mode Choke is balanced. When the equipment in which the choke is utilized generates electrical noise due to operation of relays, triacs, SCRs, etc., these transient noise pulses cause an imbalance in the power line current. Since the coils of the Common Mode Choke are out of phase with each other, noise being fed back to the power line is cancelled or minimized to an acceptable level and does not interfere with other equipment operating on the same power line.

#### Specifications:

- Windings balanced within 1%
- @+80°C ambient, +40°C rise
- -55°C to +130°C operating temperature
- 2500 VAC Hipot winding to winding
- 2500 VAC Hipot winding to core
- All specifications measured @ +20°C
- Inductance values: ±25% @ 1KHz



ALL DIMENSIONS IN INCHES



## RENCO ELECTRONICS, INC.

595 International Place, Rockledge, FL 32955-4200 USA

(321) 637-1000 • Toll Free Engineering Hot line 800-645-5828

Fax: (321) 637-1600 Web Site: [www.rencousa.com](http://www.rencousa.com) E-mail: [sales@rencousa.com](mailto:sales@rencousa.com)

<b>RL-1328-3</b>				
Renco Part No.	L @ 1KHz ( $\mu$ H)*	Max. DCR* (Ohms)	Leakage† Inductance ( $\mu$ H) Max.	Interwinding Capacitance (pF) Max.
RL-1328-3-100	100	.033	20	3.8
RL-1328-3-150	150	.034	25	4.0
RL-1328-3-180	180	.035	28	4.2
RL-1328-3-220	220	.036	32	4.4
RL-1328-3-270	270	.037	37	4.5
RL-1328-3-330	330	.038	40	4.6
RL-1328-3-390	390	.039	45	4.7
RL-1328-3-470	470	.040	49	4.9
RL-1328-3-560	560	.041	50	5.0
RL-1328-3-680	680	.042	53	5.0
RL-1328-3-820	820	.044	66	5.2
RL-1328-3-1000	1000	.050	80	5.3
RL-1328-3-1200	1200	.055	93	5.5
RL-1328-3-1500	1500	.060	117	5.6
RL-1328-3-1800	1800	.066	150	5.7
RL-1328-3-2200	2200	.073	177	6.2
RL-1328-3-2700	2700	.083	220	6.3
RL-1328-3-3300	3300	.088	270	6.4
RL-1328-3-3900	3900	.100	320	6.5
RL-1328-3-4700	4700	.115	386	6.7
RL-1328-3-5600	5600	.121	462	6.8
RL-1328-3-6800	6800	.133	510	7.0
RL-1328-3-8200	8200	.144	688	7.1
RL-1328-3-10000	10000	.165	825	7.2
RL-1328-3-12000	12000	.188	980	7.3
RL-1328-3-15000	15000	.209	1210	7.4
RL-1328-3-18000	18000	.290	1430	7.6
RL-1328-3-22000	22000	.315	1730	7.6
RL-1328-3-27000	27000	.350	2123	7.6
RL-1328-3-33000	33000	.500	2640	8.4
RL-1328-3-39000	39000	.540	3080	12.5

Suggested rated current — 3 Amps



## RENCO ELECTRONICS, INC.

✉ 595 International Place, Rockledge, FL 32955-4200 USA

☎ (321) 637-1000 • Toll Free Engineering Hot line 800-645-5828

📠 Fax: (321) 637-1600 🌐 Web Site: [www.rencousa.com](http://www.rencousa.com) 📧 E-mail: [sales@rencousa.com](mailto:sales@rencousa.com)

<b>RL-1328-5</b>				
Renco Part No.	L @ 1KHz ( $\mu$ H)*	Max. DCR* (Ohms)	Leakage† Inductance ( $\mu$ H) Max.	Interwinding Capacitance (pF) Max.
RL-1328-5-100	100	.010	17	3.2
RL-1328-5-120	120	.012	19	3.3
RL-1328-5-150	150	.013	21	3.4
RL-1328-5-180	180	.014	24	3.5
RL-1328-5-220	220	.015	26	3.6
RL-1328-5-270	270	.017	28	3.7
RL-1328-5-330	330	.019	30	3.8
RL-1328-5-390	390	.020	32	3.9
RL-1328-5-470	470	.022	35	4.0
RL-1328-5-560	560	.024	39	4.2
RL-1328-5-680	680	.027	48	5.0
RL-1328-5-820	820	.028	60	7.0
RL-1328-5-1000	1000	.031	72	7.2
RL-1328-5-1200	1200	.034	94	7.6
RL-1328-5-1500	1500	.037	100	8.2
RL-1328-5-1800	1800	.041	130	8.5
RL-1328-5-2200	2200	.047	167	8.9
RL-1328-5-2700	2700	.052	208	9.2
RL-1328-5-3300	3300	.057	248	10.0
RL-1328-5-3900	3900	.063	286	10.5
RL-1328-5-4700	4700	.075	349	11.0
RL-1328-5-5600	5600	.078	417	11.5
RL-1328-5-6800	6800	.088	506	12.0
RL-1328-5-8200	8200	.100	603	12.5
RL-1328-5-10000	10000	.110	733	13.0
RL-1328-5-12000	12000	.127	883	13.5

Suggested rated current — 5 Amps

<b>RL-1328-10</b>				
Renco Part No.	L @ 1KHz ( $\mu$ H)*	Max. DCR* (Ohms)	Leakage† Inductance ( $\mu$ H) Max.	Interwinding Capacitance (pF) Max.
RL-1328-10-100	100	.0080	10	3.9
RL-1328-10-120	120	.0085	11	4.1
RL-1328-10-150	150	.0090	13	4.4
RL-1328-10-180	180	.0095	14	4.8
RL-1328-10-220	220	.0100	16	4.6
RL-1328-10-270	270	.0120	22	5.0
RL-1328-10-330	330	.0130	26	5.3
RL-1328-10-390	390	.0140	29	5.5
RL-1328-10-470	470	.0160	38	5.7
RL-1328-10-560	560	.0170	43	5.9
RL-1328-10-680	680	.0190	53	6.2
RL-1328-10-820	820	.0200	63	6.4
RL-1328-10-1000	1000	.0220	75	6.6
RL-1328-10-1200	1200	.0240	94	9.5
RL-1328-10-1500	1500	.0270	119	7.1
RL-1328-10-1800	1800	.0320	140	7.3
RL-1328-10-2200	2200	.0350	176	7.5
RL-1328-10-2700	2700	.0390	215	7.7
RL-1328-10-3300	3300	.0450	267	8.0
RL-1328-10-3900	3900	.0490	316	8.2
RL-1328-10-4700	4700	.0560	380	10.0
RL-1328-10-5600	5600	.0660	460	13.0

Suggested rated current — 10 Amps



## RENCO ELECTRONICS, INC.

✉ 595 International Place, Rockledge, FL 32955-4200 USA

☎ (321) 637-1000 • Toll Free Engineering Hot line 800-645-5828

📠 Fax: (321) 637-1600 🌐 Web Site: [www.rencousa.com](http://www.rencousa.com) 📧 E-mail: [sales@rencousa.com](mailto:sales@rencousa.com)

<b>RL-1328-15</b>				
Renco Part No.	L @ 1KHz ( $\mu$ H)*	Max. DCR* (Ohms)	Leakage† Inductance ( $\mu$ H) Max.	Interwinding Capacitance (pF) Max.
RL-1328-15-100	100	.007	8	3.9
RL-1328-15-120	120	.007	12	4.0
RL-1328-15-150	150	.007	14	4.5
RL-1328-15-180	180	.007	16	5.0
RL-1328-15-220	220	.007	18	6.0
RL-1328-15-270	270	.008	21	7.0
RL-1328-15-330	330	.008	26	7.8
RL-1328-15-390	390	.010	29	8.0
RL-1328-15-470	470	.011	38	8.1
RL-1328-15-560	560	.012	42	8.2
RL-1328-15-680	680	.013	51	8.4
RL-1328-15-820	820	.014	62	8.6
RL-1328-15-1000	1000	.015	85	9.0
RL-1328-15-1200	1200	.018	93	9.5
RL-1328-15-1500	1500	.019	115	10.0
RL-1328-15-1800	1800	.021	146	10.5
RL-1328-15-2200	2200	.024	170	11.0
RL-1328-15-2700	2700	.027	208	11.7

Suggested rated current — 15 Amps

<b>RL-1328-22</b>				
Renco Part No.	L @ 1KHz ( $\mu$ H)*	Max. DCR* (Ohms)	Leakage† Inductance ( $\mu$ H) Max.	Interwinding Capacitance (pF) Max.
RL-1328-22-47	47	.0025	7	2.0
RL-1328-22-68	68	.0028	8	2.2
RL-1328-22-100	100	.0032	9	2.6
RL-1328-22-120	120	.0037	10	3.1
RL-1328-22-150	150	.0040	15	3.4
RL-1328-22-180	180	.0043	18	3.8
RL-1328-22-220	220	.0047	20	4.0
RL-1328-22-270	270	.0050	25	4.4
RL-1328-22-330	330	.0055	31	5.0
RL-1328-22-390	390	.0060	35	5.4
RL-1328-22-470	470	.0065	38	5.8
RL-1328-22-560	560	.0070	45	6.2
RL-1328-22-680	680	.0080	50	7.2

Suggested rated current — 22 Amps

<b>RL-1328-35</b>				
Renco Part No.	L @ 1KHz ( $\mu$ H)*	Max. DCR* (Ohms)	Leakage† Inductance ( $\mu$ H) Max.	Interwinding Capacitance (pF) Max.
RL-1328-35-47	47	.0020	5	3.7
RL-1328-35-68	68	.0021	6	4.1
RL-1328-35-100	100	.0023	9	4.4
RL-1328-35-120	120	.0025	10	4.6
RL-1328-35-150	150	.0026	11	4.8
RL-1328-35-180	180	.0028	15	5.3
RL-1328-35-220	220	.0032	18	5.5
RL-1328-35-270	270	.0037	24	5.9
RL-1328-35-330	330	.0040	27	7.5

Suggested rated current — 35 Amps



## RENCO ELECTRONICS, INC.

✉ 595 International Place, Rockledge, FL 32955-4200 USA

☎ (321) 637-1000 • Toll Free Engineering Hot line 800-645-5828

☎ Fax: (321) 637-1600 🌐 Web Site: [www.rencousa.com](http://www.rencousa.com) 📧 E-mail: [sales@rencousa.com](mailto:sales@rencousa.com)

<b>RL-1329-2</b>				
Renco Part No.	L @ 1KHz ( $\mu$ H)*	Max. DCR* (Ohms)	Leakage† Inductance ( $\mu$ H) Max.	Interwinding Capacitance (pF) Max.
RL-1329-2-47	47	.021	5	2.0
RL-1329-2-68	68	.022	6	3.0
RL-1329-2-100	100	.025	10	4.0
RL-1329-2-150	150	.031	20	4.5
RL-1329-2-220	220	.035	30	5.0
RL-1329-2-330	330	.044	55	5.5
RL-1329-2-470	470	.048	75	6.0
RL-1329-2-680	680	.058	90	6.5
RL-1329-2-1000	1000	.072	100	7.0
RL-1329-2-1500	1500	.077	110	7.5
RL-1329-2-1800	1800	.095	130	8.0
RL-1329-2-2200	2200	.099	138	8.0
RL-1329-2-3300	3300	.121	210	8.5
RL-1329-2-4700	4700	.132	242	9.0
RL-1329-2-6800	6800	.176	418	9.5
RL-1329-2-10000	10000	.216	627	10.0
RL-1329-2-12000	12000	.242	781	10.5
RL-1329-2-15000	15000	.355	924	11.0
RL-1329-2-18000	18000	.500	1100	11.5
RL-1329-2-22000	22000	.555	1430	12.0

Suggested rated current — 2 Amps

<b>RL-1329-3</b>				
Renco Part No.	L @ 1KHz ( $\mu$ H)*	Max. DCR* (Ohms)	Leakage† Inductance ( $\mu$ H) Max.	Interwinding Capacitance (pF) Max.
RL-1329-3-47	47	.010	5	2.0
RL-1329-3-68	68	.011	6	2.5
RL-1329-3-100	100	.013	7	3.0
RL-1329-3-150	150	.017	11	5.0
RL-1329-3-220	220	.021	17	6.0
RL-1329-3-330	330	.024	22	7.0
RL-1329-3-470	470	.027	30	8.2
RL-1329-3-680	680	.034	42	10.0
RL-1329-3-1000	1000	.041	57	12.0
RL-1329-3-1500	1500	.052	88	13.0
RL-1329-3-2200	2200	.062	132	13.5
RL-1329-3-3300	3300	.074	190	14.0
RL-1329-3-4700	4700	.120	264	14.5
RL-1329-3-6800	6800	.185	410	15.0

Suggested rated current — 3 Amps



## RENCO ELECTRONICS, INC.

✉ 595 International Place, Rockledge, FL 32955-4200 USA

☎ (321) 637-1000 • Toll Free Engineering Hot line 800-645-5828

☎ Fax: (321) 637-1600 🌐 Web Site: [www.rencousa.com](http://www.rencousa.com) 📧 E-mail: [sales@rencousa.com](mailto:sales@rencousa.com)

<b>RL-1329-5</b>				
Renco Part No.	L @ 1KHz ( $\mu$ H)*	Max. DCR* (Ohms)	Leakage† Inductance ( $\mu$ H) Max.	Interwinding Capacitance (pF) Max.
RL-1329-5-47	47	.009	6	1.5
RL-1329-5-68	68	.010	8	2.0
RL-1329-5-100	100	.011	10	2.5
RL-1329-5-120	120	.012	13	3.0
RL-1329-5-150	150	.013	16	3.5
RL-1329-5-180	180	.014	18	4.0
RL-1329-5-220	220	.015	20	4.5
RL-1329-5-270	270	.016	30	5.0
RL-1329-5-330	330	.017	35	5.5
RL-1329-5-390	390	.018	45	6.0
RL-1329-5-470	470	.019	55	6.5
RL-1329-5-560	560	.021	65	7.0
RL-1329-5-680	680	.023	75	7.5
RL-1329-5-820	820	.025	80	8.0
RL-1329-5-1000	1000	.029	85	8.5
RL-1329-5-1200	1200	.031	90	9.0
RL-1329-5-1500	1500	.034	100	11.9
RL-1329-5-1800	1800	.036	110	12.5
RL-1329-5-2200	2200	.042	121	13.0
RL-1329-5-2700	2700	.058	143	13.5
RL-1329-5-3300	3300	.060	176	14.0
RL-1329-5-3900	3900	.085	209	14.5
RL-1329-5-4700	4700	.120	290	15.0
RL-1329-5-5600	5600	.165	297	15.5

Suggested rated current —5 Amps

<b>RL-1329-10</b>				
Renco Part No.	L @ 1KHz ( $\mu$ H)*	Max. DCR* (Ohms)	Leakage† Inductance ( $\mu$ H) Max.	Interwinding Capacitance (pF) Max.
RL-1329-10-47	47	.0060	3.7	6
RL-1329-10-68	68	.0065	4.8	7
RL-1329-10-100	100	.0070	6.5	8
RL-1329-10-120	120	.0080	7.5	9
RL-1329-10-150	150	.0090	10.0	10
RL-1329-10-180	180	.0100	12.0	11
RL-1329-10-270	270	.0120	15.0	12
RL-1329-10-330	330	.0130	17.0	13
RL-1329-10-390	390	.0140	21.0	14
RL-1329-10-470	470	.0150	25.0	15
RL-1329-10-560	560	.0200	30.0	16
RL-1329-10-680	680	.0230	37.0	17
RL-1329-10-820	820	.0250	44.0	18
RL-1329-10-1000	1000	.0280	57.0	19
RL-1329-10-1200	1200	.0320	85.0	20

Suggested rated current —10 Amps



## RENCO ELECTRONICS, INC.

✉ 595 International Place, Rockledge, FL 32955-4200 USA

☎ (321) 637-1000 • Toll Free Engineering Hot line 800-645-5828

📠 Fax: (321) 637-1600 🌐 Web Site: [www.rencousa.com](http://www.rencousa.com) 📧 E-mail: [sales@rencousa.com](mailto:sales@rencousa.com)

<b>RL-1329-15</b>				
Renco Part No.	L @ 1KHz ( $\mu$ H)*	Max. DCR* (Ohms)	Leakage† Inductance ( $\mu$ H) Max.	Interwinding Capacitance (pF) Max.
RL-1329-15-27	27	.0035	4	3
RL-1329-15-47	47	.0040	5	4
RL-1329-15-68	68	.0045	6	5
RL-1329-15-100	100	.0050	9	6
RL-1329-15-150	150	.0055	11	7
RL-1329-15-180	180	.0060	15	10
RL-1329-15-220	220	.0070	17	11

Suggested rated current —15 Amps

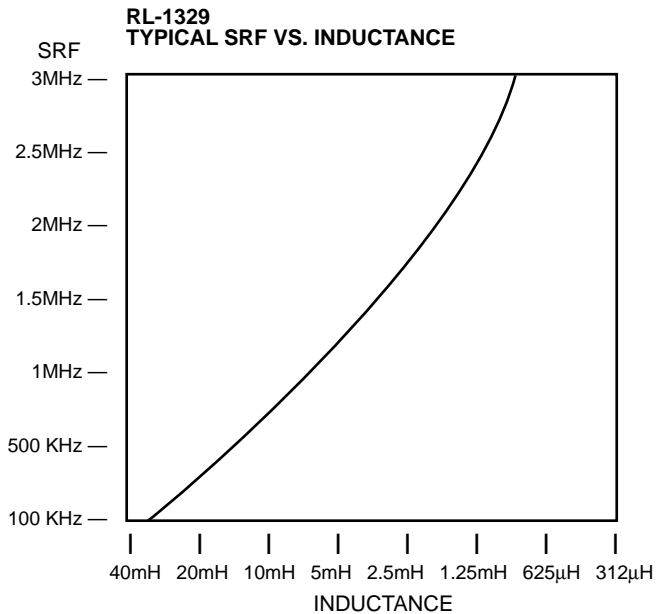
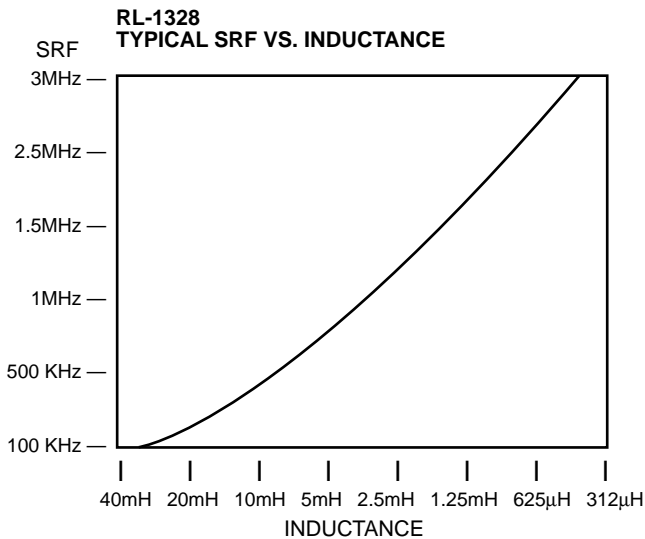
<b>RL-1329-22</b>				
Renco Part No.	L @ 1KHz ( $\mu$ H)*	Max. DCR* (Ohms)	Leakage† Inductance ( $\mu$ H) Max.	Interwinding Capacitance (pF) Max.
RL-1329-22-6.8	6.8	.0028	1.5	2
RL-1329-22-15	15.0	.0030	1.8	3
RL-1329-22-27	27.0	.0032	2.7	4
RL-1329-22-39	39.0	.0036	3.5	5
RL-1329-22-56	56.0	.0040	5.6	5
RL-1329-22-82	82.0	.0045	6.7	6
RL-1329-22-100	100.0	.0050	7.8	9

Suggested rated current —22 Amps

**NOTES:**

\* Measured between 1 and 2 or 3 and 4.

† Measured across 1 and 2 with 3 and 4 shorted, or measured across 3 and 4 with 1 and 2 shorted.



**RENCO ELECTRONICS, INC.**

✉ 595 International Place, Rockledge, FL 32955-4200 USA

☎ (321) 637-1000 • Toll Free Engineering Hot line 800-645-5828

☎ Fax: (321) 637-1600 🌐 Web Site: [www.rencousa.com](http://www.rencousa.com) ✉ E-mail: [sales@rencousa.com](mailto:sales@rencousa.com)